

Modicon M241 Logic Controller Hardware Guide

01/2015



EIO0000001456.03

www.schneider-electric.com

Schneider
Electric

The information provided in this documentation contains general descriptions and/or technical characteristics of the performance of the products contained herein. This documentation is not intended as a substitute for and is not to be used for determining suitability or reliability of these products for specific user applications. It is the duty of any such user or integrator to perform the appropriate and complete risk analysis, evaluation and testing of the products with respect to the relevant specific application or use thereof. Neither Schneider Electric nor any of its affiliates or subsidiaries shall be responsible or liable for misuse of the information contained herein. If you have any suggestions for improvements or amendments or have found errors in this publication, please notify us.

No part of this document may be reproduced in any form or by any means, electronic or mechanical, including photocopying, without express written permission of Schneider Electric.

All pertinent state, regional, and local safety regulations must be observed when installing and using this product. For reasons of safety and to help ensure compliance with documented system data, only the manufacturer should perform repairs to components.

When devices are used for applications with technical safety requirements, the relevant instructions must be followed.

Failure to use Schneider Electric software or approved software with our hardware products may result in injury, harm, or improper operating results.

Failure to observe this information can result in injury or equipment damage.

© 2015 Schneider Electric. All rights reserved.

Table of Contents



	Safety Information	7
	About the Book	9
Part I	Modicon M241 Logic Controller Introduction . . .	13
Chapter 1	M241 General Overview	15
	M241 Logic Controller Description	16
	Maximum Hardware Configuration	21
	TMC4 Cartridges	24
	TM4 Expansion Modules	25
	TM3 Expansion Modules	26
	TM2 Expansion Modules	35
	Accessories	39
Chapter 2	M241 Features	41
	Real Time Clock (RTC)	42
	Input Management	46
	Output Management	50
	Run/Stop	54
	SD Card	56
Chapter 3	M241 Installation	61
3.1	M241 Logic Controller General Rules for Implementing	62
	Environmental Characteristics	63
	Certifications and Standards	66
3.2	M241 Logic Controller Installation	67
	Installation and Maintenance Requirements	68
	M241 Logic Controller Mounting Positions and Clearances	71
	Top Hat Section Rail (DIN rail)	74
	Installing and Removing the Controller with Expansions	77
	Direct Mounting on a Panel Surface	79
3.3	M241 Electrical Requirements	80
	Wiring Best Practices	81
	DC Power Supply Characteristics and Wiring	87
	AC Power Supply Characteristics and Wiring	91
	Grounding the M241 System	94

Part II	Modicon M241 Logic Controller	99
Chapter 4	TM241C24R	101
	TM241C24R Presentation	101
Chapter 5	TM241CE24R	105
	TM241CE24R Presentation	105
Chapter 6	TM241CEC24R	111
	TM241CEC24R Presentation	111
Chapter 7	TM241C24T	117
	TM241C24T Presentation	117
Chapter 8	TM241CE24T	121
	TM241CE24T Presentation	121
Chapter 9	TM241CEC24T	127
	TM241CEC24T Presentation	127
Chapter 10	TM241C24U	133
	TM241C24U Presentation	133
Chapter 11	TM241CE24U	137
	TM241CE24U Presentation	137
Chapter 12	TM241CEC24U	143
	TM241CEC24U Presentation	143
Chapter 13	TM241C40R	149
	TM241C40R Presentation	149
Chapter 14	TM241CE40R	153
	TM241CE40R Presentation	153
Chapter 15	TM241C40T	157
	TM241C40T Presentation	157
Chapter 16	TM241CE40T	161
	TM241CE40T Presentation	161
Chapter 17	TM241C40U	165
	TM241C40U Presentation	165
Chapter 18	TM241CE40U	169
	TM241CE40U Presentation	169
Chapter 19	Embedded I/O Channels	173
	Digital Inputs	174
	Relay Outputs	181
	Regular Transistor Outputs	187
	Fast Transistor Outputs	192

Part III	Modicon M241 Logic Controller Communication	197
Chapter 20	Integrated Communication Ports	199
	CANopen Port	200
	Ethernet Port	202
	USB Mini-B Programming Port	205
	Serial Line 1	207
	Serial Line 2	211
Chapter 21	Connecting the M241 Logic Controller to a PC	213
	Connecting the Controller to a PC	213
Glossary	217
Index	223

Safety Information



Important Information

NOTICE

Read these instructions carefully, and look at the equipment to become familiar with the device before trying to install, operate, or maintain it. The following special messages may appear throughout this documentation or on the equipment to warn of potential hazards or to call attention to information that clarifies or simplifies a procedure.



The addition of this symbol to a Danger safety label indicates that an electrical hazard exists, which will result in personal injury if the instructions are not followed.



This is the safety alert symbol. It is used to alert you to potential personal injury hazards. Obey all safety messages that follow this symbol to avoid possible injury or death.

DANGER

DANGER indicates an imminently hazardous situation which, if not avoided, **will result in** death or serious injury.

WARNING

WARNING indicates a potentially hazardous situation which, if not avoided, **can result in** death or serious injury.

CAUTION

CAUTION indicates a potentially hazardous situation which, if not avoided, **can result in** minor or moderate injury.

NOTICE

NOTICE is used to address practices not related to physical injury.

PLEASE NOTE

Electrical equipment should be installed, operated, serviced, and maintained only by qualified personnel. No responsibility is assumed by Schneider Electric for any consequences arising out of the use of this material.

A qualified person is one who has skills and knowledge related to the construction and operation of electrical equipment and its installation, and has received safety training to recognize and avoid the hazards involved.

About the Book



At a Glance

Document Scope

Use this document to:

- Install and operate your M241 Logic Controller.
- Connect the M241 Logic Controller to a programming device equipped with SoMachine software.
- Interface the M241 Logic Controller with I/O expansion modules, HMI and other devices.
- Familiarize yourself with the M241 Logic Controller features.

NOTE: Read and understand this document and all related documents before installing, operating, or maintaining your controller.

Validity Note

This document has been updated with the release of SoMachine V4.1.

The technical characteristics of the devices described in this manual also appear online.

The characteristics that are presented in this manual should be the same as those characteristics that appear online. In line with our policy of constant improvement, we may revise content over time to improve clarity and accuracy. If you see a difference between the manual and online information, use the online information as your reference.

Related Documents


Title of Documentation	Reference Number
Modicon M241 Logic Controller - Programming Guide	EIO0000001456 (ENG)
	EIO0000001457 (FRE)
	EIO0000001458 (GER)
	EIO0000001459 (SPA)
	EIO0000001460 (ITA)
	EIO0000001461 (CHS)
Modicon TMC4 Cartridges - Hardware Guide	EIO0000001776 (ENG)
	EIO0000001777 (FRE)
	EIO0000001778 (GER)
	EIO0000001779 (SPA)
	EIO0000001780 (ITA)
	EIO0000001781 (CHS)

Title of Documentation	Reference Number
Modicon TM4 Expansion Modules - Hardware Guide	EIO0000001796 (ENG) EIO0000001797 (FRE) EIO0000001798 (GER) EIO0000001799 (SPA) EIO0000001800 (ITA) EIO0000001801 (CHS)
Modicon TM3 Digital I/O Modules - Hardware Guide	EIO0000001408 (ENG) EIO0000001409 (FRE) EIO0000001410 (GER) EIO0000001411 (SPA) EIO0000001412 (ITA) EIO0000001413 (CHS) EIO0000001375 (TUR) EIO0000001374 (POR)
Modicon TM3 Analog I/O Modules - Hardware Guide	EIO0000001414 (ENG) EIO0000001415 (FRE) EIO0000001416 (GER) EIO0000001417 (SPA) EIO0000001418 (ITA) EIO0000001419 (CHS) EIO0000001379 (TUR) EIO0000001378 (POR)
Modicon TM3 Expert I/O Modules - Hardware Guide	EIO0000001420 (ENG) EIO0000001421 (FRE) EIO0000001422 (GER) EIO0000001423 (SPA) EIO0000001424 (ITA) EIO0000001425 (CHS) EIO0000001381 (TUR) EIO0000001380 (POR)
Modicon TM3 Safety Modules - Hardware Guide	EIO0000001831 (ENG) EIO0000001832 (FRE) EIO0000001833 (GER) EIO0000001834 (SPA) EIO0000001835 (ITA) EIO0000001836 (CHS) EIO0000001837 (TUR) EIO0000001838 (POR)

Title of Documentation	Reference Number
Modicon TM3 Transmitter and Receiver Modules - Hardware Guide	EIO0000001426 (ENG) EIO0000001427 (FRE) EIO0000001428 (GER) EIO0000001429 (SPA) EIO0000001430 (ITA) EIO0000001431 (CHS) EIO0000001383 (TUR) EIO0000001382 (POR)
M241 DC Logic Controller - Instruction Sheet	HRB59603
M241 AC Logic Controller - Instruction Sheet	EAV48551

You can download these technical publications and other technical information from our website at www.schneider-electric.com.

Product Related Information


 **DANGER**

HAZARD OF ELECTRIC SHOCK, EXPLOSION OR ARC FLASH

- Disconnect all power from all equipment including connected devices prior to removing any covers or doors, or installing or removing any accessories, hardware, cables, or wires except under the specific conditions specified in the appropriate hardware guide for this equipment.
- Always use a properly rated voltage sensing device to confirm the power is off where and when indicated.
- Replace and secure all covers, accessories, hardware, cables, and wires and confirm that a proper ground connection exists before applying power to the unit.
- Use only the specified voltage when operating this equipment and any associated products.

Failure to follow these instructions will result in death or serious injury.

This equipment has been designed to operate outside of any hazardous location. Only install this equipment in zones known to be free of a hazardous atmosphere.

 **DANGER**

POTENTIAL FOR EXPLOSION

Install and use this equipment in non-hazardous locations only.

Failure to follow these instructions will result in death or serious injury.

WARNING

LOSS OF CONTROL

- The designer of any control scheme must consider the potential failure modes of control paths and, for certain critical control functions, provide a means to achieve a safe state during and after a path failure. Examples of critical control functions are emergency stop and overtravel stop, power outage and restart.
- Separate or redundant control paths must be provided for critical control functions.
- System control paths may include communication links. Consideration must be given to the implications of unanticipated transmission delays or failures of the link.
- Observe all accident prevention regulations and local safety guidelines.¹
- Each implementation of this equipment must be individually and thoroughly tested for proper operation before being placed into service.

Failure to follow these instructions can result in death, serious injury, or equipment damage.

¹ For additional information, refer to NEMA ICS 1.1 (latest edition), "Safety Guidelines for the Application, Installation, and Maintenance of Solid State Control" and to NEMA ICS 7.1 (latest edition), "Safety Standards for Construction and Guide for Selection, Installation and Operation of Adjustable-Speed Drive Systems" or their equivalent governing your particular location.

WARNING

UNINTENDED EQUIPMENT OPERATION

- Only use software approved by Schneider Electric for use with this equipment.
- Update your application program every time you change the physical hardware configuration.

Failure to follow these instructions can result in death, serious injury, or equipment damage.

Part I

Modicon M241 Logic Controller Introduction

What Is in This Part?

This part contains the following chapters:

Chapter	Chapter Name	Page
1	M241 General Overview	15
2	M241 Features	41
3	M241 Installation	61

Chapter 1

M241 General Overview

Overview

This chapter provides general information about the M241 Logic Controller system architecture and its components.

What Is in This Chapter?

This chapter contains the following topics:

Topic	Page
M241 Logic Controller Description	16
Maximum Hardware Configuration	21
TMC4 Cartridges	24
TM4 Expansion Modules	25
TM3 Expansion Modules	26
TM2 Expansion Modules	35
Accessories	39

M241 Logic Controller Description

Overview

The M241 Logic Controller has various powerful features and can service a wide range of applications.

Software configuration, programming, and commissioning is accomplished with the SoMachine software described in the SoMachine Programming Guide (*see SoMachine, Programming Guide*) and the M241 Logic Controller Programming Guide.

Programming Languages

The M241 Logic Controller is configured and programmed with the SoMachine software, which supports the following IEC 61131-3 programming languages:

- IL: Instruction List
- ST: Structured Text
- FBD: Function Block Diagram
- SFC: Sequential Function Chart
- LD: Ladder Diagram

SoMachine software can also be used to program these controllers using CFC (Continuous Function Chart) language.

Power Supply

The power supply of the M241 Logic Controller is 24 Vdc (*see page 87*) or 100...240 Vac (*see page 91*).

Real Time Clock

The M241 Logic Controller includes a Real Time Clock (RTC) system (*see page 42*).

Run/Stop

The M241 Logic Controller can be operated externally by the following:

- a hardware Run/Stop switch (*see page 54*)
- a Run/Stop (*see page 46*) operation by a dedicated digital input, defined in the software configuration. For more information, refer to Configuration of Digital Inputs (*see Modicon M241 Logic Controller, Programming Guide*).
- a SoMachine software command

Memory

This table describes the different types of memory:

Memory Type	Size	Used to
RAM	64 Mbytes, of which 8 Mbytes available for the application	execute the application.
Flash	128 Mbytes	save the program and data in case of a power interruption.

Embedded Inputs/Outputs

The following embedded I/O types are available, depending on the controller reference:

- Regular inputs
- Fast inputs associated with counters
- Regular sink/source transistor outputs
- Fast sink/source transistor outputs associated with pulse generators
- Relay outputs

Removable Storage

The M241 Logic Controllers include an embedded SD card slot ([see page 56](#)).

The main uses of the SD card are:

- Initializing the controller with a new application
- Updating the controller firmware
- Applying post configuration files to the controller
- Applying recipes
- Receiving data logging files

Embedded Communication Features

The following types of communication ports are available depending on the controller reference:

- CANopen Master ([see page 200](#))
- Ethernet ([see page 202](#))
- USB Mini-B ([see page 205](#))
- Serial Line 1 ([see page 207](#))
- Serial Line 2 ([see page 211](#))

M241 Logic Controller

Reference	Digital Inputs	Digital Outputs	Communication Ports	Terminal Type	Power supply
TM241C24R <i>(see page 101)</i>	6 regular inputs ⁽¹⁾ 8 fast inputs (counters) ⁽²⁾	6 2A relay outputs 4 source fast outputs (pulse generators) ⁽³⁾	2 serial line ports 1 USB programming port	Removable screw terminal blocks	100...240 Vac
TM241CE24R <i>(see page 105)</i>	6 regular inputs ⁽¹⁾ 8 fast inputs (counters) ⁽²⁾	6 2A relay outputs 4 source fast outputs (pulse generators) ⁽³⁾	2 serial line ports 1 USB programming port 1 Ethernet port	Removable screw terminal blocks	100...240 Vac
TM241CEC24R <i>(see page 111)</i>	6 regular inputs ⁽¹⁾ 8 fast inputs (counters) ⁽²⁾	6 2A relay outputs 4 source fast outputs (pulse generators) ⁽³⁾	2 serial line ports 1 Ethernet port 1 CANopen master port 1 USB programming port	Removable screw terminal blocks	100...240 Vac
TM241C24T <i>(see page 117)</i>	6 regular inputs ⁽¹⁾ 8 fast inputs (counters) ⁽²⁾	Source outputs 6 regular transistor outputs 4 fast outputs (pulse generators) ⁽³⁾	2 serial line ports 1 USB programming port	Removable screw terminal blocks	24 Vdc
TM241CE24T <i>(see page 121)</i>	6 regular inputs ⁽¹⁾ 8 fast inputs (counters) ⁽²⁾	Source outputs 6 regular transistor outputs 4 fast outputs (pulse generators) ⁽³⁾	2 serial line ports 1 USB programming port 1 Ethernet port	Removable screw terminal blocks	24 Vdc
TM241CEC24T <i>(see page 127)</i>	6 regular inputs ⁽¹⁾ 8 fast inputs (counters) ⁽²⁾	Source outputs 6 regular transistor outputs 4 fast outputs (pulse generators) ⁽³⁾	2 serial line ports 1 USB programming port 1 Ethernet port 1 CANopen master port	Removable screw terminal blocks	24 Vdc
TM241C24U <i>(see page 133)</i>	6 regular inputs ⁽¹⁾ 8 fast inputs (counters) ⁽²⁾	Sink outputs 6 regular transistor outputs 4 fast outputs (pulse generators) ⁽³⁾	2 serial line ports 1 USB programming port	Removable screw terminal blocks	24 Vdc
<p>(1) The regular inputs have a maximum frequency of 5 kHz. (2) The fast inputs can be used either as regular inputs or as fast inputs for counting or event functions. (3) The fast transistor outputs can be used either as regular transistor outputs, or as fast outputs for pulse generator (FG / PTO / PWM) or counting (HSC) functions.</p>					

Reference	Digital Inputs	Digital Outputs	Communication Ports	Terminal Type	Power supply
TM241CE24U (see page 137)	6 regular inputs ⁽¹⁾ 8 fast inputs (counters) ⁽²⁾	Sink outputs 6 regular transistor outputs 4 fast outputs (pulse generators) ⁽³⁾	2 serial line ports 1 USB programming port 1 Ethernet port	Removable screw terminal blocks	24 Vdc
TM241CEC24U (see page 143)	6 regular inputs ⁽¹⁾ 8 fast inputs (counters) ⁽²⁾	Sink outputs 6 regular transistor outputs 4 fast outputs (pulse generators) ⁽³⁾	2 serial line ports 1 USB programming port 1 Ethernet port 1 CANopen master port	Removable screw terminal blocks	24 Vdc
TM241C40R (see page 149)	16 regular inputs ⁽¹⁾ 8 fast inputs (counters) ⁽²⁾	12 2A relay outputs 4 source fast outputs (pulse generators) ⁽³⁾	2 serial line ports 1 USB programming port	Removable screw terminal blocks	100...240 Vac
TM241CE40R (see page 153)	16 regular inputs ⁽¹⁾ 8 fast inputs (counters) ⁽²⁾	12 2A relay outputs 4 source fast outputs (pulse generators) ⁽³⁾	2 serial line ports 1 USB programming port 1 Ethernet port	Removable screw terminal blocks	100...240 Vac
TM241C40T (see page 157)	16 regular inputs ⁽¹⁾ 8 fast inputs (counters) ⁽²⁾	Source outputs 12 regular transistor outputs 4 fast outputs (pulse generators) ⁽³⁾	2 serial line ports 1 USB programming port	Removable screw terminal blocks	24 Vdc
TM241CE40T (see page 161)	16 regular inputs ⁽¹⁾ 8 fast inputs (counters) ⁽²⁾	Source outputs 12 regular transistor outputs 4 fast outputs (pulse generators) ⁽³⁾	2 serial line ports 1 USB programming port 1 Ethernet port	Removable screw terminal blocks	24 Vdc
TM241C40U (see page 165)	16 regular inputs ⁽¹⁾ 8 fast inputs (counters) ⁽²⁾	Sink outputs 12 regular transistor outputs 4 fast outputs (pulse generators) ⁽³⁾	2 serial line ports 1 USB programming port	Removable screw terminal blocks	24 Vdc
<p>(1) The regular inputs have a maximum frequency of 5 kHz. (2) The fast inputs can be used either as regular inputs or as fast inputs for counting or event functions. (3) The fast transistor outputs can be used either as regular transistor outputs, or as fast outputs for pulse generator (FG / PTO / PWM) or counting (HSC) functions.</p>					

Reference	Digital Inputs	Digital Outputs	Communication Ports	Terminal Type	Power supply
TM241CE40U (see page 169)	16 regular inputs ⁽¹⁾ 8 fast inputs (counters) ⁽²⁾	Sink outputs 12 regular transistor outputs 4 fast outputs (pulse generators) ⁽³⁾	2 serial line ports 1 USB programming port 1 Ethernet port	Removable screw terminal blocks	24 Vdc

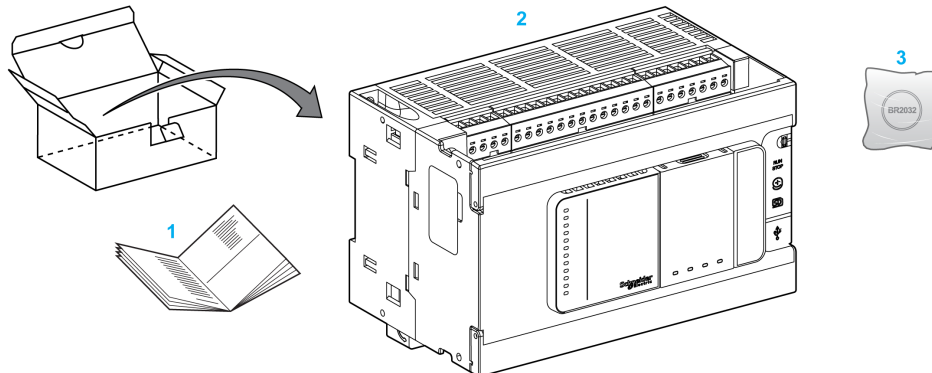
(1) The regular inputs have a maximum frequency of 5 kHz.

(2) The fast inputs can be used either as regular inputs or as fast inputs for counting or event functions.

(3) The fast transistor outputs can be used either as regular transistor outputs, or as fast outputs for pulse generator (FG / PTO / PWM) or counting (HSC) functions.

Delivery Content

The following figure shows the content of the delivery for a M241 Logic Controller:



- 1 M241 Logic Controller Instruction Sheet
- 2 M241 Logic Controller
- 3 Lithium carbon monofluoride battery, type Panasonic BR2032.

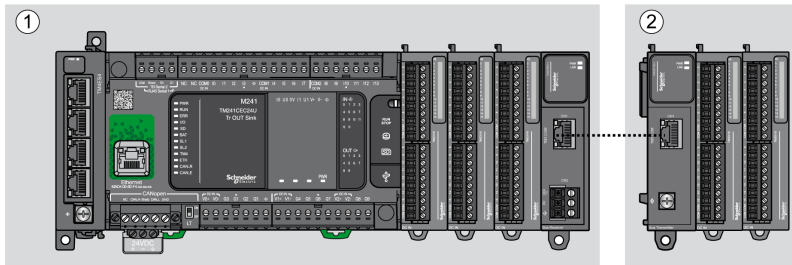
Maximum Hardware Configuration

Introduction

The M241 Logic Controller is a control system that offers an all-in-one solution with optimized configurations and an expandable architecture.

Local and Remote Configuration Principle

The following figure defines the local and remote configurations:



- (1) Local configuration
- (2) Remote configuration

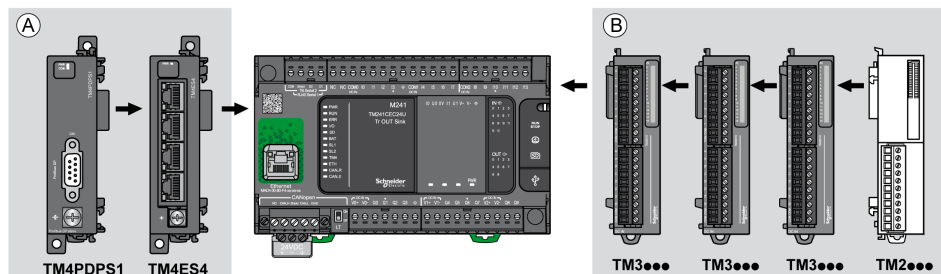
M241 Logic Controller Local Configuration Architecture

Optimized local configuration and flexibility are provided by the association of:

- TM4 expansion modules
- M241 Logic Controller
- TM3 expansion modules
- TM2 expansion modules

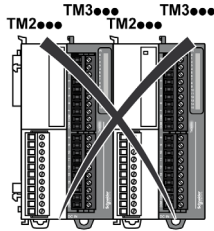
Application requirements determine the architecture of your M241 Logic Controller configuration.

The following figure represents the components of a local configuration:



- (A) Expansion modules (3 maximum)
- (B) Expansion modules (7 maximum)

NOTE: It is prohibited to mount a TM2 module before any TM3 module as indicated in the following figure:



M241 Logic Controller Remote Configuration Architecture

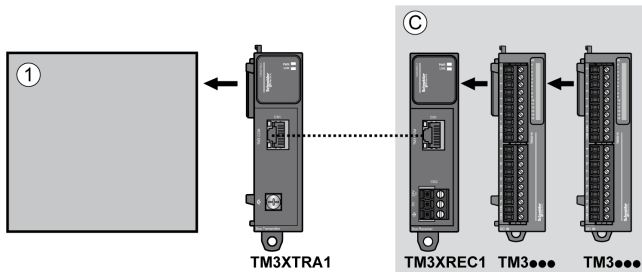
Optimized remote configuration and flexibility are provided by the association of:

- TM4 expansion modules
- M241 Logic Controller
- TM3 expansion modules
- TM3 transmitter and receiver modules

Application requirements determine the architecture of your M241 Logic Controller configuration.

NOTE: You cannot use TM2 modules in configurations that include the TM3 transmitter and receiver modules.

The following figure represents the components of a remote configuration:



- (1) Logic controller and modules
- (C) Expansion modules (7 maximum)

Maximum Number of Modules

The following table shows the maximum configuration supported:

References	Maximum	Type of Configuration
TM241****	7 TM3 / TM2 expansion modules	Local
TM241****	3 TM4 expansion modules	Local
TM3XREC1	7 TM3 expansion modules	Remote
NOTE: TM3 transmitter and receiver modules are not included in a count of the maximum number of expansion modules.		

NOTE: The configuration with its TM4, TM3, and TM2 expansion modules is validated by SoMachine software in the **Configuration** window.

NOTE: In some environments, the maximum configuration populated by high consumption modules, coupled with the maximum distance allowable between the TM3 transmitter and receiver modules, may present bus communication issues although the SoMachine software allowed for the configuration. In such a case you will need to analyze the consumption of the modules chosen for your configuration, as well as the minimum cable distance required by your application, and possibly seek to optimize your choices.

TMC4 Cartridges

Overview

You can expand the number of I/Os of your Modicon M241 Logic Controller by adding TMC4 cartridges.

For more information, refer to the TMC4 Cartridges Hardware Guide.

TMC4 Standard Cartridges

The following table shows the standard TMC4 cartridges with the corresponding channel type, voltage/current range, and terminal type:

Reference	Channels	Channel Type	Voltage Current	Terminal Type
TMC4AI2	2	Analog inputs (voltage or current)	0...10 Vdc 0...20 mA or 4...20 mA	3.81 mm (0.15 in.) pitch, removable spring terminal block
TMC4TI2	2	Analog temperature inputs	Thermocouple type K, J, R, S, B, E, T, N,C 3 wires RTD type Pt100, Pt1000, Ni100, Ni1000	3.81 mm (0.15 in.) pitch, removable spring terminal block
TMC4AQ2	2	Analog outputs (voltage or current)	0...10 Vdc 4...20 mA	3.81 mm (0.15 in.) pitch, removable spring terminal block

TMC4 Application Cartridges

The following table shows the application TMC4 cartridges with the corresponding channel type, voltage/current range, and terminal type:

Reference	Channels	Channel Type	Voltage Current	Terminal Type
TMC4HOIS01	2	Analog inputs (voltage or current)	0...10 Vdc 0...20 mA or 4...20 mA	3.81 mm (0.15 in.) pitch, removable spring terminal block
TMC4PACK01	2	Analog inputs (voltage or current)	0...10 Vdc 0...20 mA or 4...20 mA	3.81 mm (0.15 in.) pitch, removable spring terminal block

TM4 Expansion Modules

Introduction

The range of TM4 expansion modules includes communication modules.

For more information, refer to the TM4 Expansion Modules Hardware Guide.

TM4 Expansion Modules

The following table shows the TM4 expansion module features:

Module reference	Type	Terminal type
TM4ES4	Ethernet communication	4 RJ45 connectors 1 screw for functional ground connection
TM4PDPS1	PROFIBUS DP slave communication	1 SUB-D 9 pins female connector 1 screw for functional ground connection
NOTE: If the controller has more than one embedded Ethernet port, the module works as a standalone Ethernet switch.		

TM3 Expansion Modules

Introduction

The range of TM3 expansion modules includes:

- Digital modules, classified as follows:
 - Input modules ([see page 26](#))
 - Output modules ([see page 27](#))
 - Mixed input/output modules ([see page 29](#))
- Analog modules, classified as follows:
 - Input modules ([see page 30](#))
 - Output modules ([see page 31](#))
 - Mixed input/output modules ([see page 32](#))
- Expert modules ([see page 32](#))
- Safety modules ([see page 33](#))
- Transmitter and Receiver modules ([see page 34](#))

For more information, refer to the following documents:

- TM3 Digital I/O Modules Hardware Guide
- TM3 Analog I/O Modules Hardware Guide
- TM3 Expert I/O Modules Hardware Guide
- TM3 Safety Modules Hardware Guide
- TM3 Transmitter and Receiver Modules Hardware Guide

TM3 Digital Input Modules

The following table shows the TM3 digital input expansion modules, with corresponding channel type, nominal voltage/current, and terminal type:

Reference	Channels	Channel Type	Voltage Current	Terminal Type / Pitch
TM3DI8A	8	Regular inputs	120 Vac 7.5 mA	Removable screw terminal block / 5.08 mm
TM3DI8	8	Regular inputs	24 Vdc 7 mA	Removable screw terminal block / 5.08 mm
TM3DI8G	8	Regular inputs	24 Vdc 7 mA	Removable spring terminal block / 5.08 mm
TM3DI16	16	Regular inputs	24 Vdc 7 mA	Removable screw terminal blocks / 3.81 mm

Reference	Channels	Channel Type	Voltage Current	Terminal Type / Pitch
TM3DI16G	16	Regular inputs	24 Vdc 7 mA	Removable spring terminal blocks / 3.81 mm
TM3DI16K	16	Regular inputs	24 Vdc 5 mA	HE10 (MIL 20) connector
TM3DI32K	32	Regular inputs	24 Vdc 5 mA	HE10 (MIL 20) connector

TM3 Digital Output Modules

The following table shows the TM3 digital output expansion modules, with corresponding channel type, nominal voltage/current, and terminal type:

Reference	Channels	Channel Type	Voltage Current	Terminal Type / Pitch
TM3DQ8R	8	Relay outputs	24 Vdc / 240 Vac 7 A maximum per common line / 2 A maximum per output	Removable screw terminal block / 5.08 mm
TM3DQ8RG	8	Relay outputs	24 Vdc / 240 Vac 7 A maximum per common line / 2 A maximum per output	Removable spring terminal block / 5.08 mm
TM3DQ8T	8	Regular transistor outputs (source)	24 Vdc 4 A maximum per common line/0.5 A maximum per output	Removable screw terminal block / 5.08 mm
TM3DQ8TG	8	Regular transistor outputs (source)	24 Vdc 4 A maximum per common line/0.5 A maximum per output	Removable spring terminal block / 5.08 mm
TM3DQ8U	8	Regular transistor outputs (sink)	24 Vdc 4 A maximum per common line/0.5 A maximum per output	Removable screw terminal block / 5.08 mm
TM3DQ8UG	8	Regular transistor outputs (sink)	24 Vdc 4 A maximum per common line/0.5 A maximum per output	Removable spring terminal block / 5.08 mm
TM3DQ16R	16	Relay outputs	24 Vdc / 240 Vac 8 A maximum per common line / 2 A maximum per output	Removable screw terminal blocks / 3.81 mm

Reference	Channels	Channel Type	Voltage Current	Terminal Type / Pitch
TM3DQ16RG	16	Relay outputs	24 Vdc / 240 Vac 8 A maximum per common line / 2 A maximum per output	Removable spring terminal blocks / 3.81 mm
TM3DQ16T	16	Regular transistor outputs (source)	24 Vdc 4 A maximum per common line / 0.5 A maximum per output	Removable screw terminal blocks / 3.81 mm
TM3DQ16TG	16	Regular transistor outputs (source)	24 Vdc 4 A maximum per common line / 0.5 A maximum per output	Removable spring terminal blocks / 3.81 mm
TM3DQ16U	16	Regular transistor outputs (sink)	24 Vdc 2 A maximum per common line / 0.4 A maximum per output	Removable screw terminal blocks / 3.81 mm
TM3DQ16UG	16	Regular transistor outputs (sink)	24 Vdc 2 A maximum per common line / 0.4 A maximum per output	Removable spring terminal blocks / 3.81 mm
TM3DQ16TK	16	Regular transistor outputs (source)	24 Vdc 2 A maximum per common line / 0.1 A maximum per output	HE10 (MIL 20) connector
TM3DQ16UK	16	Regular transistor outputs (sink)	24 Vdc 2 A maximum per common line / 0.1 A maximum per output	HE10 (MIL 20) connector
TM3DQ32TK	32	Regular transistor outputs (source)	24 Vdc 2 A maximum per common line / 0.1 A maximum per output	HE10 (MIL 20) connectors
TM3DQ32UK	32	Regular transistor outputs (sink)	24 Vdc 2 A maximum per common line / 0.1 A maximum per output	HE10 (MIL 20) connectors

TM3 Digital Mixed Input/Output Modules

The following table shows the TM3 mixed I/O modules, with corresponding channel type, nominal voltage/current, and terminal type:

Reference	Channels	Channel Type	Voltage Current	Terminal Type / Pitch
TM3DM8R	4	Regular inputs	24 Vdc 7 mA	Removable screw terminal block / 5.08 mm
	4	Relay outputs	24 Vdc / 240 Vac 7 A maximum per common line / 2 A maximum per output	
TM3DM8RG	4	Regular inputs	24 Vdc 7 mA	Removable spring terminal block / 5.08 mm
	4	Relay outputs	24 Vdc / 240 Vac 7 A maximum per common line / 2 A maximum per output	
TM3DM24R	16	Regular inputs	24 Vdc 7 mA	Removable screw terminal blocks / 3.81 mm
	8	Relay outputs	24 Vdc / 240 Vac 7 A maximum per common line / 2 A maximum per output	
TM3DM24RG	16	Regular inputs	24 Vdc 7 mA	Removable spring terminal blocks / 3.81 mm
	8	Relay outputs	24 Vdc / 240 Vac 7 A maximum per common line / 2 A maximum per output	

TM3 Analog Input Modules

The following table shows the TM3 analog input expansion modules, with corresponding resolution, channel type, nominal voltage/current, and terminal type:

Reference	Resolution	Channels	Channel Type	Mode	Terminal Type / Pitch
TM3AI2H	16 bit, or 15 bit + sign	2	inputs	0...10 Vdc -10...+10 Vdc 0...20 mA 4...20 mA	Removable screw terminal block / 5.08 mm
TM3AI2HG	16 bit, or 15 bit + sign	2	inputs	0...10 Vdc -10...+10 Vdc 0...20 mA 4...20 mA	Removable spring terminal block / 5.08 mm
TM3AI4	12 bit, or 11 bit + sign	4	inputs	0...10 Vdc -10...+10 Vdc 0...20 mA 4...20 mA	Removable screw terminal block / 3.81 mm
TM3AI4G	12 bit, or 11 bit + sign	4	inputs	0...10 Vdc -10...+10 Vdc 0...20 mA 4...20 mA	Removable spring terminal blocks / 3.81 mm
TM3AI8	12 bit, or 11 bit + sign	8	inputs	0...10 Vdc -10...+10 Vdc 0...20 mA 4...20 mA	Removable screw terminal block / 3.81 mm
TM3AI8G	12 bit, or 11 bit + sign	8	inputs	0...10 Vdc -10...+10 Vdc 0...20 mA 4...20 mA	Removable spring terminal blocks / 3.81 mm
TM3TI4	16 bit, or 15 bit + sign	4	inputs	0...10 Vdc -10...+10 Vdc 0...20 mA 4...20 mA Thermocouple PT100/1000 NI100/1000	Removable screw terminal block / 3.81 mm
TM3TI4G	16 bit, or 15 bit + sign	4	inputs	0...10 Vdc -10...+10 Vdc 0...20 mA 4...20 mA Thermocouple PT100/1000 NI100/1000	Removable spring terminal blocks / 3.81 mm

Reference	Resolution	Channels	Channel Type	Mode	Terminal Type / Pitch
TM3TI8T	16 bit, or 15 bit + sign	8	inputs	Thermocouple NTC/PTC	Removable screw terminal block / 3.81 mm
TM3TI8TG	16 bit, or 15 bit + sign	8	inputs	Thermocouple NTC/PTC	Removable spring terminal blocks / 3.81 mm

TM3 Analog Output Modules

The following table shows the TM3 analog output modules, with corresponding resolution, channel type, nominal voltage/current, and terminal type:

Reference	Resolution	Channels	Channel Type	Mode	Terminal Type / Pitch
TM3AQ2	12 bit, or 11 bit + sign	2	outputs	0...10 Vdc -10...+10 Vdc 0...20 mA 4...20 mA	Removable screw terminal block / 5.08 mm
TM3AQ2G	12 bit, or 11 bit + sign	2	outputs	0...10 Vdc -10...+10 Vdc 0...20 mA 4...20 mA	Removable spring terminal block / 5.08 mm
TM3AQ4	12 bit, or 11 bit + sign	4	outputs	0...10 Vdc -10...+10 Vdc 0...20 mA 4...20 mA	Removable screw terminal block / 5.08 mm
TM3AQ4G	12 bit, or 11 bit + sign	4	outputs	0...10 Vdc -10...+10 Vdc 0...20 mA 4...20 mA	Removable spring terminal block / 5.08 mm

TM3 Analog Mixed Input/Output Modules

This following table shows the TM3 analog mixed I/O modules, with corresponding resolution, channel type, nominal voltage/current, and terminal type:

Reference	Resolution	Channels	Channel Type	Mode	Terminal Type / Pitch
TM3AM6	12 bit, or 11 bit + sign	4	inputs	0...10 Vdc -10...+10 Vdc 0...20 mA 4...20 mA	Removable spring terminal block / 3.81 mm
		2	outputs		
TM3AM6G	12 bit, or 11 bit + sign	4	inputs	0...10 Vdc -10...+10 Vdc 0...20 mA 4...20 mA	Removable spring terminal block / 3.81 mm
		2	outputs		
TM3TM3	16 bit, or 15 bit + sign	2	inputs	0...10 Vdc -10...+10 Vdc 0...20 mA 4...20 mA Thermocouple PT100/1000 NI100/1000	Removable screw terminal block / 5.08 mm
	12 bit, or 11 bit + sign	1	output	0...10 Vdc -10...+10 Vdc 0...20 mA 4...20 mA	
TM3TM3G	16 bit, or 15 bit + sign	2	inputs	0...10 Vdc -10...+10 Vdc 0...20 mA 4...20 mA Thermocouple PT100/1000 NI100/1000	Removable spring terminal block / 5.08 mm
	12 bit, or 11 bit + sign	1	output	0...10 Vdc -10...+10 Vdc 0...20 mA 4...20 mA	

TM3 Expert Module

The following table shows the TM3 expert expansion module, with corresponding terminal type:

Reference	Description	Terminal Type / Pitch
TM3XTYS4	TeSys module	4 front connectors RJ-45 1 power supply connector / 5.08 mm

TM3 Safety Modules

The following table shows the TM3 safety modules, with the corresponding channel type, nominal voltage/current, and terminal type:

Reference	Channels	Channel Type	Voltage Current	Terminal Type
TM3SAC5R	1 + start ⁽¹⁾	safety input	24 Vdc \pm 10 % 100 mA maximum	3.81 mm (0.15 in.) and 5.08 mm (0.20 in.), removable screw terminal block
	3 controlled together	relay outputs normally open	24 Vdc / 230 Vac 6 A maximum per output path	
TM3SAC5RG	1 + start ⁽¹⁾	safety input	24 Vdc \pm 10 % 100 mA maximum	3.81 mm (0.15 in.) and 5.08 mm (0.20 in.), removable spring terminal block
	3 controlled together	relay outputs normally open	24 Vdc / 230 Vac 6 A maximum per output path	
TM3SAF5R	2 + start	safety inputs	24 Vdc \pm 10 % 100 mA maximum	3.81 mm (0.15 in.) and 5.08 mm (0.20 in.), removable screw terminal block
	3 controlled together	relay outputs normally open	24 Vdc / 230 Vac 6 A maximum per output path	
TM3SAF5RG	2 + start	safety inputs	24 Vdc \pm 10 % 100 mA maximum	3.81 mm (0.15 in.) and 5.08 mm (0.20 in.), removable spring terminal block
	3 controlled together	relay outputs normally open	24 Vdc / 230 Vac 6 A maximum per output path	
TM3SAFL5R	2 + start	safety inputs	24 Vdc \pm 10 % 100 mA maximum	3.81 mm (0.15 in.) and 5.08 mm (0.20 in.), removable screw terminal block
	3 controlled together	relay outputs normally open	24 Vdc / 230 Vac 6 A maximum per output path	
TM3SAFL5RG	2 + start	safety inputs	24 Vdc \pm 10 % 100 mA maximum	3.81 mm (0.15 in.) and 5.08 mm (0.20 in.), removable spring terminal block
	3 controlled together	relay outputs normally open	24 Vdc / 230 Vac 6 A maximum per output path	
TM3SAK6R	3 + start	safety inputs	24 Vdc \pm 10 % 100 mA maximum	3.81 mm (0.15 in.) and 5.08 mm (0.20 in.), removable screw terminal block
	3 controlled together	relay outputs normally open	24 Vdc / 230 Vac 6 A maximum per output path	
⁽¹⁾ Non-monitored start				

Reference	Channels	Channel Type	Voltage Current	Terminal Type
TM3SAK6RG	3 + start	safety inputs	24 Vdc \pm 10 % 100 mA maximum	3.81 mm (0.15 in.) and 5.08 mm (0.20 in.), removable spring terminal block
	3 controlled together	relay outputs normally open	24 Vdc / 230 Vac 6 A maximum per output path	
(1) Non-monitored start				

TM3 Transmitter and Receiver Modules

The following table shows the TM3 transmitter and receiver expansion modules:

Reference	Description	Terminal Type / Pitch
TM3XTRA1	Data transmitter module for remote I/O	1 front connector RJ-45 1 screw for functional ground connection
TM3XREC1	Data receiver module for remote I/O	1 front connector RJ-45 Power supply connector / 5.08 mm

TM2 Expansion Modules

Overview

You can expand the number of I/Os of your M241 Logic Controller by adding TM2 I/O expansion modules.

The following types of electronic modules are supported:

- TM2 digital I/O expansion modules
- TM2 analog I/O expansion modules

For more information, refer to the following documents:

- TM2 Digital I/O Expansion Modules Hardware Guide
- TM2 Analog I/O Expansion Modules Hardware Guide

NOTE: TM2 modules can only be used in the local configuration, and only if there is no TM3 transmitter and receiver modules present in the configuration.

NOTE: It is prohibited to mount a TM2 module before any TM3 module. The TM2 modules must be mounted and configured at the end of the local configuration.

TM2 Digital Input Expansion Modules

The following table shows the compatible TM2 digital input expansion modules with the corresponding channel type, nominal voltage/current, and terminal type:

Reference	Channels	Channel Type	Voltage Current	Terminal Type
TM2DAI8DT	8	Regular inputs	120 Vac 7.5 mA	Removable screw terminal block
TM2DDI8DT	8	Regular inputs	24 Vdc 7 mA	Removable screw terminal block
TM2DDI16DT	16	Regular inputs	24 Vdc 7 mA	Removable screw terminal block
TM2DDI16DK	16	Regular inputs	24 Vdc 5 mA	HE10 (MIL 20) connector
TM2DDI32DK	32	Regular inputs	24 Vdc 5 mA	HE10 (MIL 20) connector

TM2 Digital Output Expansion Modules

The following table shows the compatible TM2 digital output expansion modules with the corresponding channel type, nominal voltage/current, and terminal type:

Reference	Channels	Channel type	Voltage Current	Terminal type
TM2DRA8RT	8	Relay outputs	30 Vdc / 230 Vac 2 A max	Removable screw terminal block
TM2DRA16RT	16	Relay outputs	30 Vdc / 230 Vac 2 A max	Removable screw terminal block
TM2DDO8UT	8	Regular transistor outputs (sink)	24 Vdc 0.3 A max per output	Removable screw terminal block
TM2DDO8TT	8	Regular transistor outputs (source)	24 Vdc 0.5 A max per output	Removable screw terminal block
TM2DDO16UK	16	Regular transistor outputs (sink)	24 Vdc 0.1 A max per output	HE10 (MIL 20) connector
TM2DDO16TK	16	Regular transistor outputs (source)	24 Vdc 0.4 A max per output	HE10 (MIL 20) connector
TM2DDO32UK	32	Regular transistor outputs (sink)	24 Vdc 0.1 A max per output	HE10 (MIL 20) connector
TM2DDO32TK	32	Regular transistor outputs (source)	24 Vdc 0.4 A max per output	HE10 (MIL 20) connector

TM2 Digital Mixed Input/Output Expansion Modules

The following table shows the compatible TM2 digital mixed I/O expansion modules with the corresponding channel type, nominal voltage/current, and terminal type:

Reference	Channels	Channel type	Voltage Current	Terminal type
TM2DMM8DRT	4	Regular inputs	24 Vdc 7 mA	Removable screw terminal block
	4	Relay outputs	24 Vdc / 240 Vac 7 A maximum per common line / 2 A maximum per output	
TM2DMM24DRF	16	Regular inputs	24 Vdc 7 mA	Non-removable spring terminal block
	8	Relay outputs	24 Vdc / 240 Vac 7 A maximum per common line / 2 A maximum per output	

TM2 Analog Input Expansion Modules

The following table shows the compatible TM2 analog input expansion modules with the corresponding channel type, nominal voltage/current, and terminal type:

Reference	Channels	Channel type	Voltage Current	Terminal Type
TM2AMI2HT	2	High-level inputs	0...10 Vdc 4...20 mA	Removable screw terminal block
TM2AMI2LT	2	Low-level inputs	Thermocouple type J,K,T	Removable screw terminal block
TM2AMI4LT	4	Analog inputs	0...10 Vdc 0...20 mA PT100/1000 Ni100/1000	Removable screw terminal block
TM2AMI8HT	8	Analog inputs	0...20 mA 0...10 Vdc	Removable screw terminal block
TM2ARI8HT	8	Analog inputs	NTC / PTC	Removable screw terminal block
TM2ARI8LRJ	8	Analog inputs	PT100/1000	RJ11 connector
TM2ARI8LT	8	Analog inputs	PT100/1000	Removable screw terminal block

TM2 Analog Output Expansion Modules

The following table shows the compatible TM2 analog output expansion modules with the corresponding channel type, nominal voltage/current, and terminal type:

Reference	Channels	Channel type	Voltage Current	Terminal Type
TM2AMO1HT	1	Analog outputs	0...10 Vdc 4...20 mA	Removable screw terminal block
TM2AVO2HT	2	Analog outputs	+/- 10 Vdc	Removable screw terminal block

TM2 Analog Mixed Input/Output Expansion Modules

The following table shows the compatible TM2 analog mixed I/O expansion modules with the corresponding channel type, nominal voltage/current, and terminal type:

Reference	Channels	Channel type	Voltage Current	Terminal Type
TM2AMM3HT	2	Analog inputs	0...10 Vdc 4...20 mA	Removable screw terminal block
	1	Analog outputs	0...10 Vdc 4...20 mA	
TM2AMM6HT	4	Analog inputs	0...10 Vdc 4...20 mA	Removable screw terminal block
	2	Analog outputs	0...10 Vdc 4...20 mA	
TM2ALM3LT	2	Low-level inputs	Thermo J,K,T, PT100	Removable screw terminal block
	1	Analog outputs	0...10 Vdc 4...20 mA	

Accessories

Overview

This section describes the accessories and cables.

Accessories

Reference	Description	Use	Quantity
TMASD1	SD Card (see page 56)	Use to update the controller firmware, initialize a controller with a new application or clone a controller, manage user files.	1
TMAT2CSET	Set of 5 removable screw terminal block	Connects M241 Logic Controller embedded I/Os.	1
TMAT2PSET	Set of 5 removable screw terminal block	Connects 24 Vdc power supply.	1
AB1AB8P35	End brackets	Help secure the logic controller or receiver module and their expansion modules on a top hat section rail (DIN rail).	1
TM2XMTGB	Grounding Bar	Connects the cable shield and the module to the functional ground.	1
TM200RSRCEMC	Shielding take-up clip	Mounts and connects the ground to the cable shielding.	25 pack

Cables

Reference	Description	Details	Length
TCSXCNAMUM3P	Terminal port/USB port cordset	From the USB mini-B port on the M241 Logic Controller to USB port on the PC terminal.	3 m (10 ft)
BMXXCAUSBH018	Terminal port/USB port cordset	From the USB mini-B port on the M241 Logic Controller to USB port on the PC terminal. NOTE: Grounded and shielded, this USB cable is suitable for long duration connections.	1.8 m (5.9 ft)
490NTW000**	Ethernet shielded cable for DTE connections	Standard cable, equipped with RJ45 connectors at each end for DTE. CE compliant	2,5,12,40, or 80 m (6.56,16.4, 39.37, 131.23, or 262.47 ft)
490NTW000**U		Standard cable, equipped with RJ45 connectors at each end for DTE. UL compliant	2,5,12,40, or 80 m (6.56,16.4, 39.37, 131.23, or 262.47 ft)
TCSECE3M3M**S4		Cable for harsh environment,, equipped with RJ45 connectors at each end. CE compliant	1, 2, 3, 5, or 10 m (3.28, 6.56, 9.84, 16.4, 32.81 ft)
TCSECU3M3M**S4		Cable for harsh environment, equipped with RJ45 connectors at each end. UL compliant	1, 2, 3, 5, or 10 m (3.28, 6.56, 9.84, 16.4, 32.81 ft)

Chapter 2

M241 Features

Overview

This chapter describes the Modicon M241 Logic Controller features.

What Is in This Chapter?

This chapter contains the following topics:

Topic	Page
Real Time Clock (RTC)	42
Input Management	46
Output Management	50
Run/Stop	54
SD Card	56

Real Time Clock (RTC)

Overview

The M241 Logic Controller includes an RTC to provide system date and time information, and to support related functions requiring a real-time clock. To continue keeping time when power is off, a non-rechargeable battery is required (see reference below). A battery LED on the front panel of the controller indicates if the battery is depleted or absent.

This table shows how RTC drift is managed:

RTC Characteristics	Description
RTC drift	Less than 60 seconds per month without any user calibration at 25 °C (77 °F)

Battery

The controller has one battery.

In the event of a power interruption, the backup battery maintains the RTC for the controller.

This table shows the characteristics of the battery:

Characteristics	Description
Use	In the event of a transient power outage, the battery powers the RTC and user data.
Backup life	At least 2 years at 25 °C max (77 °F). At higher temperatures, the time is reduced.
Battery monitoring	Yes
Replaceable	Yes
Controller battery type	Lithium carbon monofluoride, type Panasonic BR2032

Installing and Replacing the Battery

While lithium batteries are preferred due to their slow discharge and long life, they can present hazards to personnel, equipment and the environment and must be handled properly.

⚠ DANGER

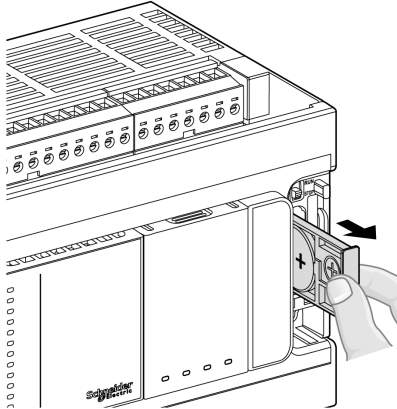
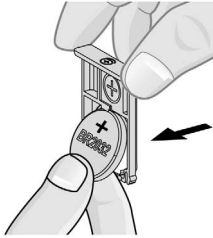
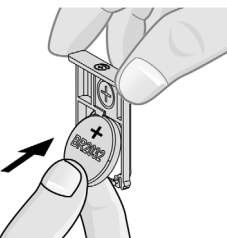
EXPLOSION, FIRE, OR CHEMICAL BURNS

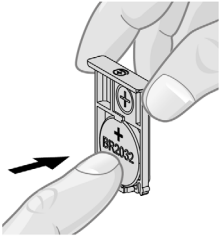
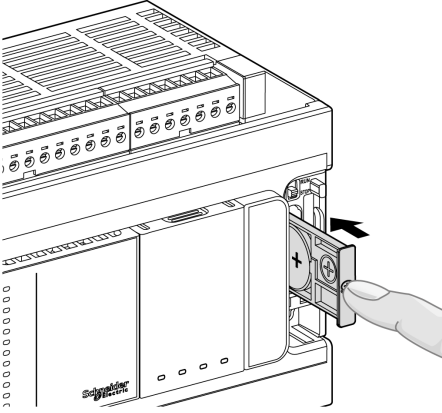
- Replace with identical battery type.
- Follow all battery manufacturer's instructions.
- Remove all replaceable batteries before discarding unit.
- Recycle or properly dispose of used batteries.
- Protect battery from any potential short-circuit.
- Do not recharge, disassemble, heat above 100 °C (212 °F), or incinerate.
- Use your hands or insulated tools to remove or replace the battery.
- Maintain proper polarity when inserting and connecting a new battery.

Failure to follow these instructions will result in death or serious injury.

To install or replace the battery, follow these steps:

Step	Action
1	Remove power from your controller.
2	Use an insulated screw-driver to pull out the battery holder.

Step	Action
3	<p>Slide out the battery holder of the controller.</p> 
4	<p>Remove the battery from the battery holder.</p> 
5	<p>Insert the new battery into the battery holder in accordance with the polarity markings on the battery.</p> 

Step	Action
6	Replace the battery holder on the controller and verify that the latch clicks into place. 
7	Slide in the battery holder of the controller. 
8	Power up your M241 Logic Controller.
9	Set the internal clock. For further details on the internal clock, refer to Programming Guide (see <i>Modicon M241 Logic Controller, Programming Guide</i>).

NOTE: Replacement of the battery in the controllers other than with the type specified in this documentation may present a risk of fire or explosion.

⚠ WARNING

IMPROPER BATTERY CAN PROVOKE FIRE OR EXPLOSION

Replace battery only with identical type: Panasonic Type BR2032.

Failure to follow these instructions can result in death, serious injury, or equipment damage.

Input Management

Overview

The M241 Logic Controller features digital inputs, including 8 fast inputs.

The following functions are configurable:

- Filters (depends on the function associated with the input).
- All inputs can be used for the Run/Stop function.
- 8 fast inputs can be either latched or used for events (rising edge, falling edge, or both) and thus be linked to an external task.

NOTE: All inputs can be used as regular inputs.

Input Management Functions Availability

Embedded digital inputs can be configured as functions (Run/Stop, events, HSC).

Inputs not configured as functions are used as regular inputs.

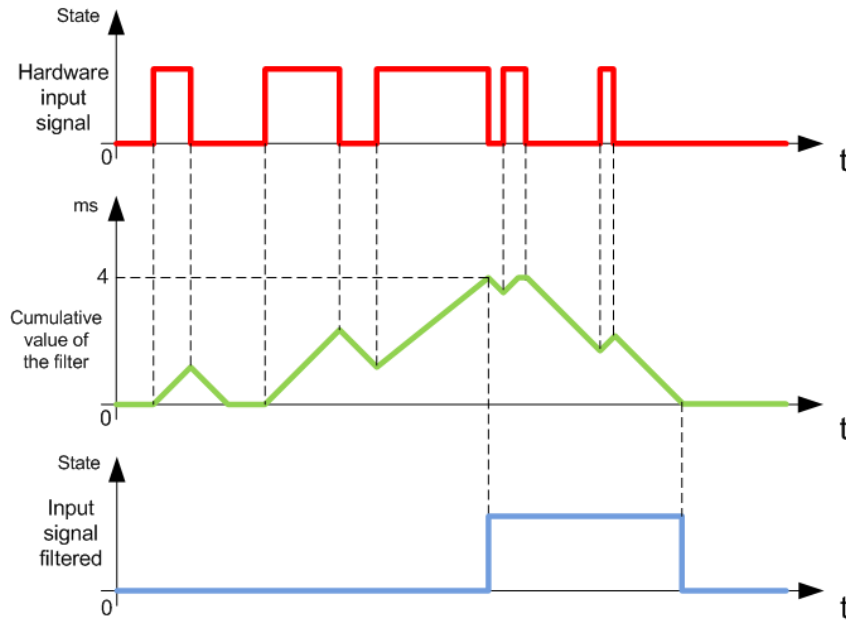
The following table shows the possible usage of the M241 Logic Controller digital inputs:

Function		Input Function				HSC / PWM / FG
		None	RUN/STOP	Latch	Event	
Filter type		Integrator	Integrator	Bounce	Bounce	
Fast inputs ¹	I0...I7	X	X	X	X	HSC
Regular inputs	I8...I13 ² I8...I23 ³	X	X	–	–	–
X Yes – No ¹ Can also be used as a regular input ² For M241 with 24 I/O channels ³ For M241 with 40 I/O channels						

Integrator Filter Principle

The integrator filter is designed to reduce the effect of noise. Setting a filter value allows the logic controller to ignore some sudden changes of input levels caused by noise.

The following timing diagram illustrates the integrator filter effects for a value of 4 ms:

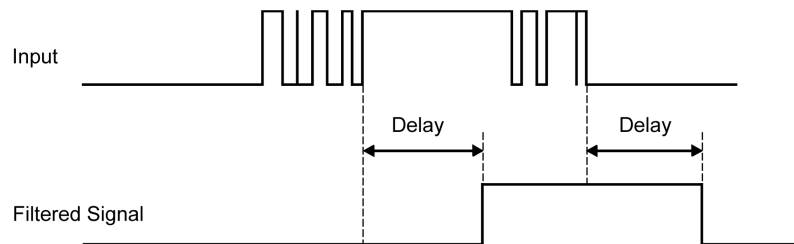


NOTE: The value selected for the filter's time parameter specifies the cumulative time in ms that must elapse before the input can be 1.

Bounce Filter Principle

The bounce filter is designed to reduce the bouncing effect at the inputs. Setting a bounce filter value allows the controller to ignore some sudden changes of input levels caused by electrical noise. The bounce filter is only available on the fast inputs.

The following timing diagram illustrates the anti-bounce filter effects:



Bounce Filter Availability

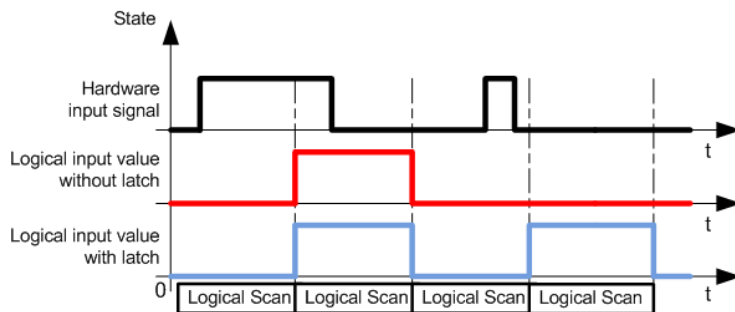
The bounce filter can be used on a fast input when:

- Using a latch or event
- HSC is enabled

Latching

Latching is a function that can be assigned to the M241 Logic Controller fast inputs. This function is used to memorize (or latch) any pulse with a duration that is less than the M241 Logic Controller scan time. When a pulse is shorter than one scan, the controller latches the pulse, which is then updated in the next scan. This latching mechanism only recognizes rising edges. Falling edges cannot be latched. Assigning inputs to be latched is done in the **I/O Configuration** tab in SoMachine.

The following timing diagram illustrates the latching effects:



Event

An input configured for Event can be associated with an External Task.

Run/Stop

The Run/Stop function is used to start or stop an application program using an input. In addition to the embedded Run/Stop switch, it is allowed to configure one (and only one) input as an additional Run/Stop command.

For more information, refer to the Run/Stop ([see page 54](#)).

WARNING

UNINTENDED MACHINE OR PROCESS START-UP

- Verify the state of security of your machine or process environment before applying power to the Run/Stop input.
- Use the Run/Stop input to help prevent the unintentional start-up from a remote location.

Failure to follow these instructions can result in death, serious injury, or equipment damage.

WARNING

UNINTENDED EQUIPMENT OPERATION

Use the sensor and actuator power supply only for supplying power to sensors or actuators connected to the module.

Failure to follow these instructions can result in death, serious injury, or equipment damage.

Output Management

Introduction

The M241 Logic Controller features both regular and fast transistor outputs (PTO / PWM).

The following output functions are configurable on the transistor outputs:

- Alarm output
- HSC (reflex features on HSC threshold)
- PTO
- PWM
- FG

NOTE: All outputs can be used as regular outputs.

Output Management Availability

The following table shows the possible usage of the M241 Logic Controller digital outputs:

Reference	Function	Alarm Output	HSC0	HSC1	FG0	FG1	PWM0	PWM1	
TM241C•40T / TM241C•40U	Fast output	Q0	X	HSC0 reflex output0	–	FG0	–	PWM0	–
		Q1	X	HSC0 reflex output1	–	–	–	–	–
		Q2	X	–	HSC1 reflex output0	–	FG1	–	PWM1
		Q3	X	–	HSC1 reflex output1	–	–	–	–
	Regular output	Q4	X	HSC0 reflex output0	–	FG0	–	PWM0	–
		Q5	X	HSC0 reflex output1	–	–	–	–	–
		Q6	X	–	HSC1 reflex output0	–	FG1	–	PWM1
		Q7	X	–	HSC1 reflex output1	–	–	–	–
		Q8	X	–	–	–	–	–	–
		Q9	X	–	–	–	–	–	–
		Q10	X	–	–	–	–	–	–
		Q11	X	–	–	–	–	–	–
		Q12	X	–	–	–	–	–	–
		Q13	X	–	–	–	–	–	–
		Q14	X	–	–	–	–	–	–
Q15	X	–	–	–	–	–	–		

Fallback Modes (Behavior for Outputs in Stop)

When the controller enters the STOPPED or one of the exception states for any reason, the local (embedded and expansion) outputs are set to **Default Value** defined in the application..

Short-circuit or Over-Current on Transistor Outputs

Outputs are clustered in packs of 4 outputs maximum (less when the total number of outputs of the controller is not a multiple of 4):

- Q0...Q3
- Q4...Q7
- Q8...Q11
- Q12...Q15

When an short-circuit or overload is detected, the cluster of 4 outputs is set to 0. An automatic rearming is done periodically (about 1 s).

The following table describes the actions taken on short-circuits or overload of transistor outputs:

If...	then...
you have short-circuit at 0 V on transistor outputs	Transistor outputs automatically go into thermal protection mode. For more information, refer to transistor output wiring diagrams.
you have short-circuit at 24 V on transistor outputs	No action is taken and the short-circuit or overload can result in equipment damage.

NOTE: You must be aware of the effect of this rearming on the machine or process being controlled.

WARNING

UNINTENDED MACHINE START-UP

Inhibit the automatic rearming of outputs if this feature is an undesirable behavior for your machine or process.

Failure to follow these instructions can result in death, serious injury, or equipment damage.

NOTE: The automatic rearming feature can be inhibited. Refer to the Programming Guide of your controller for more information.

Short-circuit or Over-Current on Relay Outputs

Relay outputs are not internally protected against overloads or short-circuits.

The following table describes the actions taken on overloads or short-circuits on relay outputs:

If...	then...
you have short-circuit or overload at 0 V or 24 V on relay outputs	No action is taken and no error is detectable. For more information, refer to relay output wiring diagrams.

Relay outputs are electromechanical switches capable of carrying significant levels of current and voltage. All electromechanical devices have a limited operational life and must be installed so as to minimize the potential for unintended consequences.

WARNING

INOPERABLE OUTPUTS

Use appropriate, external safety interlocks on outputs where personnel and/or equipment hazards exist.

Failure to follow these instructions can result in death, serious injury, or equipment damage.

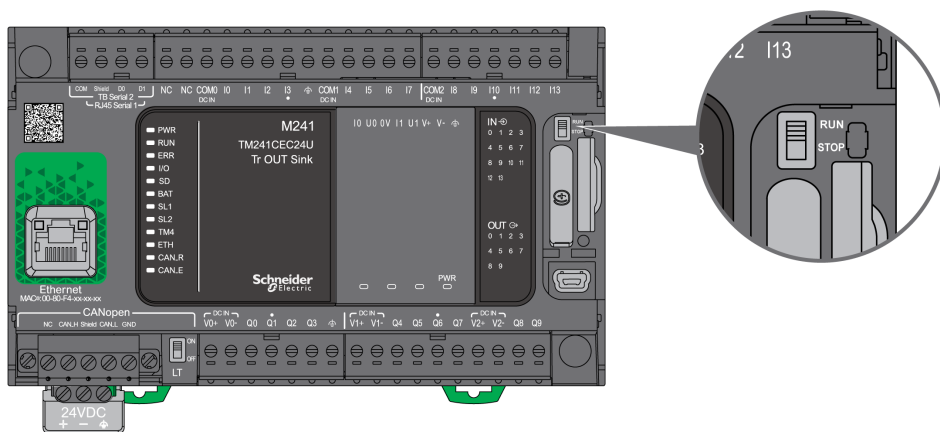
Run/Stop

Run/Stop

The M241 Logic Controller can be operated externally by the following:

- a hardware Run/Stop switch
- a Run/Stop operation by a dedicated digital input, defined in the software configuration (For more information, refer to Embedded I/Os Configuration.)
- a SoMachine software command.

The M241 Logic Controller has a Run/Stop hardware switch, which puts the controller in a RUN or STOP state.



The interaction of the 2 external operators on the controller state behavior is summarized in the table below:

		Embedded hardware Run/Stop switch		
		Switch on Stop	Stop to Run transition	Switch on Run
Software configurable Run/Stop digital input	None	STOP Ignores external Run/Stop commands.	Commands a transition to RUN state ¹ .	Allows external Run/Stop commands.
	State 0	STOP Ignores external Run/Stop commands.	STOP Ignores external Run/Stop commands.	STOP Ignores external Run/Stop commands.
	Rising edge	STOP Ignores external Run/Stop commands.	Commands a transition to RUN state ¹ .	Commands a transition to RUN state.
	State 1	STOP Ignores external Run/Stop commands.	Commands a transition to RUN state ¹ .	Allows external Run/Stop commands.

¹ For more information, refer to the Controller States and Behaviors (see *Modicon M241 Logic Controller, Programming Guide*).

WARNING

UNINTENDED MACHINE OR PROCESS START-UP

- Verify the state of security of your machine or process environment before applying power to the Run/Stop input or engaging the Run/Stop switch.
- Use the Run/Stop input to help prevent the unintentional start-up from a remote location, or from accidentally engaging the Run/Stop switch.

Failure to follow these instructions can result in death, serious injury, or equipment damage.

SD Card

Overview

When handling the SD card, follow the instructions below to help prevent internal data on the SD card from being corrupted or lost or a SD card malfunction from occurring:

NOTICE

LOSS OF APPLICATION DATA

- Do not store the SD card where there is static electricity or probable electromagnetic fields.
- Do not store the SD card in direct sunlight, near a heater, or other locations where high temperatures can occur.
- Do not bend the SD card.
- Do not drop or strike the SD card against another object.
- Keep the SD card dry.
- Do not touch the SD card connectors.
- Do not disassemble or modify the SD card.
- Use only SD cards formatted using FAT or FAT32.

Failure to follow these instructions can result in equipment damage.

The M241 Logic Controller does not recognize NTFS formatted SD cards. Format the SD card on your computer using FAT or FAT32.

When using the M241 Logic Controller and a SD card, observe the following to avoid losing valuable data:

- Accidental data loss can occur at any time. Once data is lost it cannot be recovered.
- If you forcibly extract the SD card, data on the SD card may become corrupted.
- Removing an SD card that is being accessed could damage the SD card, or corrupt its data.
- If the SD card is not positioned correctly when inserted into the controller, the data on the card and the controller could become damaged.

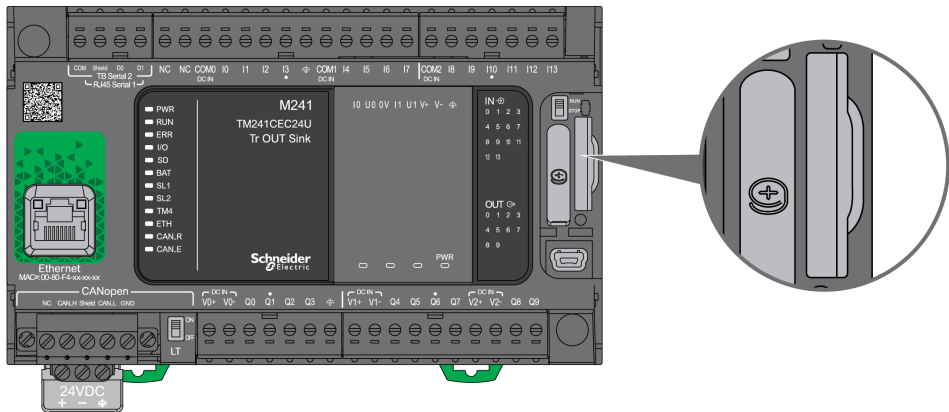
NOTICE

LOSS OF APPLICATION DATA

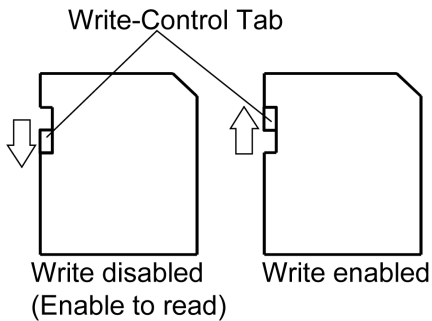
- Backup SD card data regularly.
- Do not remove power or reset the controller, and do not insert or remove the SD card while it is being accessed.
- Become familiar with the proper orientation of the SD card when inserting it into the controller.

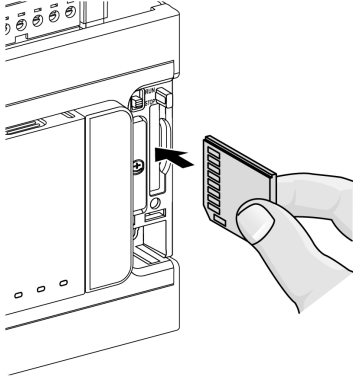
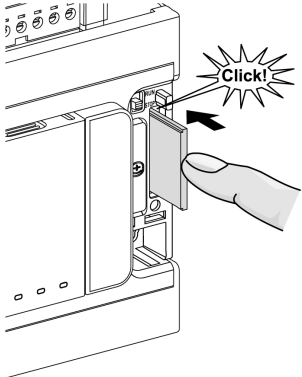
Failure to follow these instructions can result in equipment damage.

The following figure shows the SD card slot:



It is possible to set the Write-Control Tab to prevent write operations to the SD card. Push the tab up, as shown in the example on the right-hand side, to release the lock and enable writing to the SD card. Before using an SD card, read the manufacturer's instructions.



Step	Action
1	Insert the SD card into the SD card slot: 
2	Push until you hear it "click": 

SD Card Slot Characteristics

Topic	Characteristics	Description
Supported type	Standard Capacity	SD (SDSC)
	High Capacity	SDHC
Global memory	Size	32 GB max.

TMASD1 Characteristics

Characteristics	Description
Card removal durability	Minimum 1000 times
File retention time	10 years @ 25 °C (77 °F)
Flash type	SLC NAND
Memory size	512 MB
Ambient operation temperature	-10 ... +85° C (14...185 ° F)
Storage temperature	-25 ... +85° C (-13...185 ° F)
Relative humidity	95% max. non-condensing
Write/Erase cycles	3,000,000 (approximately)

NOTE: The TMASD1 has been rigorously tested in association with the logic controller. For other commercially available cards, please consult your local sales representative.

NOTE: The SD card can be used directly on your PC.

Status LED

The following figure shows the status LEDs:



The following table describes the SD card status LED:

Label	Description	LED		
		Color	Status	Description
SD	SD card	Green	On	Indicates that the SD card is being accessed.
			Off	Indicates no access.

Chapter 3

M241 Installation

Overview

This chapter provides installation safety guidelines, device dimensions, mounting instructions, and environmental specifications.

What Is in This Chapter?

This chapter contains the following sections:

Section	Topic	Page
3.1	M241 Logic Controller General Rules for Implementing	62
3.2	M241 Logic Controller Installation	67
3.3	M241 Electrical Requirements	80

Section 3.1

M241 Logic Controller General Rules for Implementing

What Is in This Section?

This section contains the following topics:

Topic	Page
Environmental Characteristics	63
Certifications and Standards	66

Environmental Characteristics

Enclosure Requirements

M241 Logic Controller system components are designed as Zone B, Class A industrial equipment according to IEC/CISPR Publication 11. If they are used in environments other than those described in the standard, or in environments that do not meet the specifications in this manual, the ability to meet electromagnetic compatibility requirements in the presence of conducted and/or radiated interference may be reduced.

All M241 Logic Controller system components meet European Community (CE) requirements for open equipment as defined by IEC/EN 61131-2. You must install them in an enclosure designed for the specific environmental conditions and to minimize the possibility of unintended contact with hazardous voltages. Use metal enclosures to improve the electromagnetic immunity of your M241 Logic Controller system. Use enclosures with a keyed locking mechanism to minimize unauthorized access.

Environmental Characteristics

All the M241 Logic Controller module components are electrically isolated between the internal electronic circuit and the input/output channels within the limits set forth and described by these environmental characteristics. For more information on electrical isolation, see the technical specifications of your particular controller found later in the current document. This equipment meets CE requirements as indicated in the table below. This equipment is intended for use in a Pollution Degree 2 industrial environment.

WARNING

UNINTENDED EQUIPMENT OPERATION

Do not exceed any of the rated values specified in the environmental and electrical characteristics tables.

Failure to follow these instructions can result in death, serious injury, or equipment damage.

The following table shows the general environmental characteristics:

Characteristic		Specification
Standard compliance	IEC/EN 61131-2 IEC/EN 61010-2-201	
Ambient operating temperature	Horizontal installation	-10...55 °C (14...131 °F)
	Vertical installation	-10...50 °C (14...122 °F)
Storage temperature		-25...70 °C (- 13...158 °F)
Relative humidity	Transport and storage	10...95 % (non-condensing)
	Operation	10...95 % (non-condensing)
Degree of pollution	IEC/EN 60664-1	2
Degree of protection	IEC/EN 61131-2	IP20 with protective covers in place
Machine Safety conformance	IEC/EN 61010-2-201	Yes
Corrosion immunity		Atmosphere free from corrosive gases
Operating altitude		0...2000 m (0...6560 ft)
Storage altitude		0...3000 m (0...9843 ft)
Vibration resistance	IEC/EN 61131-2 Panel mounting or mounted on a top hat section rail (DIN rail)	3.5 mm (0.13 in) fixed amplitude from 5...8.5 Hz 29.4 m/s ² or 96.45 ft/s ² (3 g _n) fixed acceleration from 8.7...150 Hz
Mechanical shock resistance		147 m/s ² or 482.28 ft/s ² (15 g _n) for a duration of 11 ms

Electromagnetic Susceptibility

The M241 Logic Controller system meets electromagnetic susceptibility specifications as indicated in the following table:

Characteristic	Designed to specification	Range		
Electrostatic discharge	IEC/EN 61000-4-2	8 kV (air discharge) 4 kV (contact discharge)		
Radiated electromagnetic field	IEC/EN 61000-4-3	10 V/m (80...1000 MHz) 3 V/m (1.4...2 GHz) 1 V/m (2...3 GHz)		
Magnetic field	IEC/EN 61000-4-8	30 A/m 50 Hz, 60 Hz		
Fast transients burst	IEC/EN 61000-4-4	–	CM ¹ and DM ²	
		AC/DC Power lines	2 kV	
		Relay Outputs	2 kV	
		24 Vdc I/Os	1 kV	
		Analog I/Os	1 kV	
		Communication line	1 kV	
Surge immunity	IEC/EN 61000-4-5 IEC/EN 61131-2	–	CM ¹	DM ²
		DC Power lines	1 kV	0.5 kV
		AC Power lines	2 kV	1 kV
		Relay Outputs	2 kV	1 kV
		24 Vdc I/Os	1 kV	–
		Shielded cable (between shield and ground)	1 kV	–
Induced electromagnetic field	IEC/EN 61000-4-6	10 Vrms (0.15...80 MHz)		
Conducted emission	IEC/EN 55011 (IEC/CISPR Publication 11)	AC power line:		
		<ul style="list-style-type: none"> ● 0.15...0.5 MHz: 79 dBμV/m QP / 66 dBμV/m AV ● 0.5...300 MHz: 73 dBμV/m QP / 60 dBμV/m AV 		
Radiated emission	IEC/EN 55011 (IEC/CISPR Publication 11)	AC/DC power line:		
		<ul style="list-style-type: none"> ● 10...150 kHz: 120...69 dBμV/m QP ● 150...1500 kHz: 79...63 dBμV/m QP ● 1.5...30 MHz: 63 dBμV/m QP 		
		Class A, 10 m distance:		
		<ul style="list-style-type: none"> ● 30...230 MHz: 40 dBμV/m QP ● 230...1000 MHz: 47 dBμV/m QP 		
¹ Common Mode ² Differential Mode				

Certifications and Standards

Introduction

The M241 Logic Controllers are designed to conform to the main national and international standards concerning electronic industrial control devices:


- IEC/EN 61131-2
- UL 508

The M241 Logic Controllers have obtained, or in the process of obtaining, the following conformity marks:

- CE
- cULus pending
- CSA pending

The M241 Logic Controllers comply with the main national and international Directives and Regulations concerning electronic industrial control devices:

- REACH v9
- Europe RoHS:
 - Exemption annex III 7(a)
 - Exemption annex III 7(c)-I
 - Exemption annex III 34

- China RoHS regulations 

Section 3.2

M241 Logic Controller Installation

What Is in This Section?

This section contains the following topics:

Topic	Page
Installation and Maintenance Requirements	68
M241 Logic Controller Mounting Positions and Clearances	71
Top Hat Section Rail (DIN rail)	74
Installing and Removing the Controller with Expansions	77
Direct Mounting on a Panel Surface	79

Installation and Maintenance Requirements

Before Starting

Read and understand this chapter before beginning the installation of your system.

The use and application of the information contained herein require expertise in the design and programming of automated control systems. Only you, the user, machine builder or integrator, can be aware of all the conditions and factors present during installation and setup, operation, and maintenance of the machine or process, and can therefore determine the automation and associated equipment and the related safeties and interlocks which can be effectively and properly used. When selecting automation and control equipment, and any other related equipment or software, for a particular application, you must also consider any applicable local, regional or national standards and/or regulations.

Pay particular attention in conforming to any safety information, different electrical requirements, and normative standards that would apply to your machine or process in the use of this equipment.

Disconnecting Power

All options and modules should be assembled and installed before installing the control system on a mounting rail, onto a mounting plate or in a panel. Remove the control system from its mounting rail, mounting plate or panel before disassembling the equipment.

DANGER

HAZARD OF ELECTRIC SHOCK, EXPLOSION OR ARC FLASH

- Disconnect all power from all equipment including connected devices prior to removing any covers or doors, or installing or removing any accessories, hardware, cables, or wires except under the specific conditions specified in the appropriate hardware guide for this equipment.
- Always use a properly rated voltage sensing device to confirm the power is off where and when indicated.
- Replace and secure all covers, accessories, hardware, cables, and wires and confirm that a proper ground connection exists before applying power to the unit.
- Use only the specified voltage when operating this equipment and any associated products.

Failure to follow these instructions will result in death or serious injury.

Programming Considerations

WARNING

UNINTENDED EQUIPMENT OPERATION

- Only use software approved by Schneider Electric for use with this equipment.
- Update your application program every time you change the physical hardware configuration.

Failure to follow these instructions can result in death, serious injury, or equipment damage.

Operating Environment

This equipment has been designed to operate outside of any hazardous location. Only install this equipment in zones known to be free of a hazardous atmosphere.

DANGER

POTENTIAL FOR EXPLOSION

Install and use this equipment in non-hazardous locations only.

Failure to follow these instructions will result in death or serious injury.

WARNING

UNINTENDED EQUIPMENT OPERATION

Install and operate this equipment according to the conditions described in the Environmental Characteristics.

Failure to follow these instructions can result in death, serious injury, or equipment damage.

Installation Considerations

WARNING

UNINTENDED EQUIPMENT OPERATION

- Use appropriate safety interlocks where personnel and/or equipment hazards exist.
- Install and operate this equipment in an enclosure appropriately rated for its intended environment.
- Use the sensor and actuator power supplies only for supplying power to the sensors or actuators connected to the module.
- Power line and output circuits must be wired and fused in compliance with local and national regulatory requirements for the rated current and voltage of the particular equipment.
- Do not use this equipment in safety-critical machine functions.
- Do not disassemble, repair, or modify this equipment.
- Do not connect any wiring to reserved, unused connections, or to connections designated as No Connection (N.C.).

Failure to follow these instructions can result in death, serious injury, or equipment damage.

NOTE: JDYX2 or JDYX8 fuse types are UL-recognized and CSA approved.

M241 Logic Controller Mounting Positions and Clearances

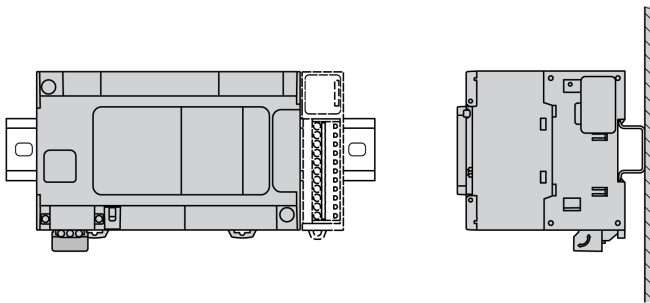
Introduction

This section describes the mounting positions for the M241 Logic Controller .

NOTE: Keep adequate spacing for proper ventilation and to maintain the operating temperature specified in the Environmental Characteristics (*see page 63*).

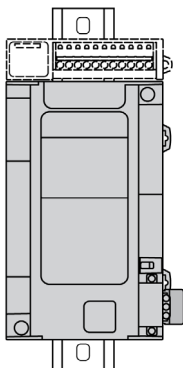
Correct Mounting Position

Whenever possible, the M241 Logic Controller should be mounted horizontally on a vertical plane as shown in the figure below:



Acceptable Mounting Positions

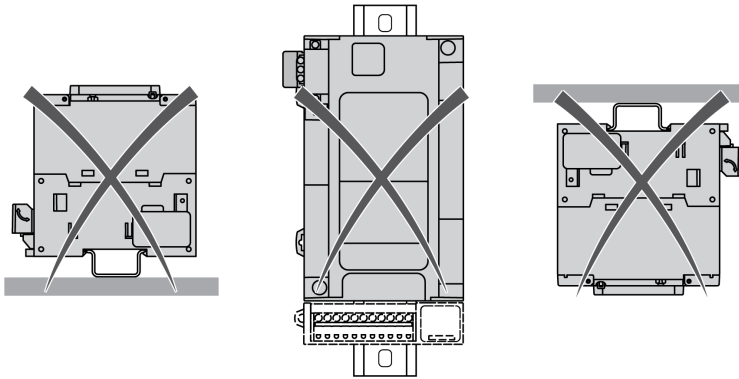
The M241 Logic Controller can also be mounted vertically with a temperature derating on a vertical plane as shown below.



NOTE: Expansion modules must be mounted above the logic controller.

Incorrect Mounting Position

The M241 Logic Controller should only be positioned as shown in Correct Mounting Position (see page 71) figure. The figures below show the incorrect mounting positions.



Minimum Clearances

⚠ WARNING

UNINTENDED EQUIPMENT OPERATION

- Place devices dissipating the most heat at the top of the cabinet and ensure adequate ventilation.
- Avoid placing this equipment next to or above devices that might cause overheating.
- Install the equipment in a location providing the minimum clearances from all adjacent structures and equipment as directed in this document.
- Install all equipment in accordance with the specifications in the related documentation.

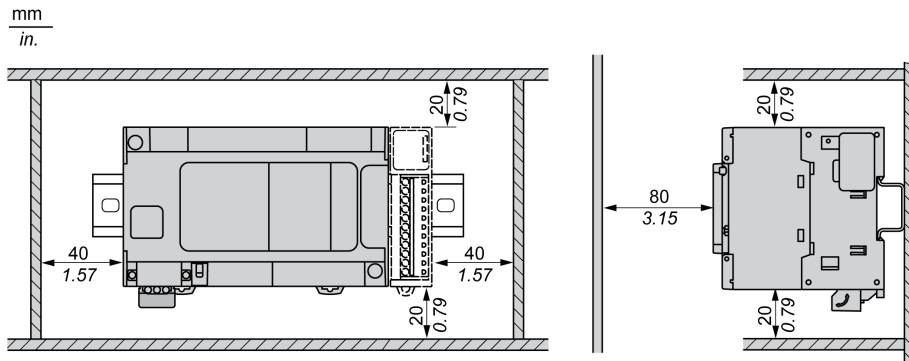
Failure to follow these instructions can result in death, serious injury, or equipment damage.

The M241 Logic Controller has been designed as an IP20 product and must be installed in an enclosure. Clearances must be respected when installing the product.

There are 3 types of clearances between:

- The M241 Logic Controller and all sides of the cabinet (including the panel door).
- The M241 Logic Controller terminal blocks and the wiring ducts. This distance reduces electromagnetic interference between the controller and the wiring ducts.
- The M241 Logic Controller and other heat generating devices installed in the same cabinet.

The following figure shows the minimum clearances that apply to all M241 Logic Controller references:



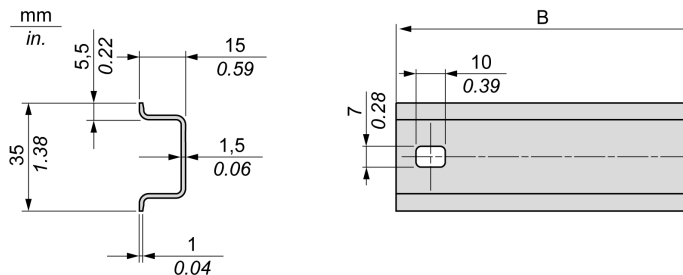
Top Hat Section Rail (DIN rail)

Dimensions of Top Hat Section Rail DIN Rail

You can mount the controller or receiver and its expansions on a 35 mm (1.38 in.) top hat section rail (DIN rail). It can be attached to a smooth mounting surface or suspended from a EIA rack or mounted in a NEMA cabinet.

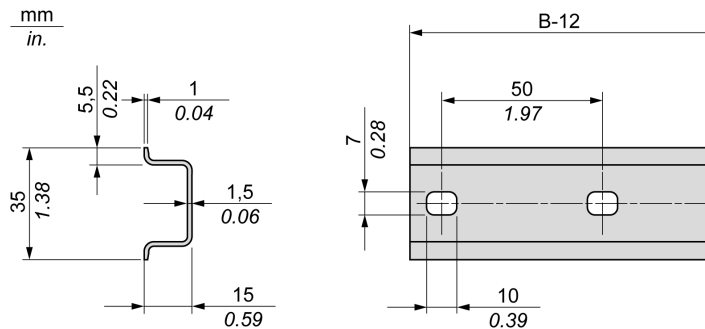
Symmetric Top Hat Section Rails (DIN Rail)

The following illustration and table show the references of the top hat section rails (DIN rail) for the wall-mounting range:



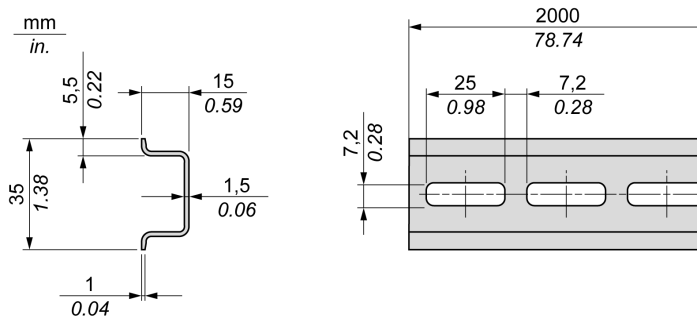
Reference	Type	Rail Length (B)
NSYSDR50A	A	450 mm (17.71 in.)
NSYSDR60A	A	550 mm (21.65 in.)
NSYSDR80A	A	750 mm (29.52 in.)
NSYSDR100A	A	950 mm (37.40 in.)

The following illustration and table show the references of the symmetric top hat section rails (DIN rail) for the metal enclosure range:



Reference	Type	Rail Length (B-12 mm)
NSYSDR60	A	588 mm (23.15 in.)
NSYSDR80	A	788 mm (31.02 in.)
NSYSDR100	A	988 mm (38.89 in.)
NSYSDR120	A	1188 mm (46.77 in.)

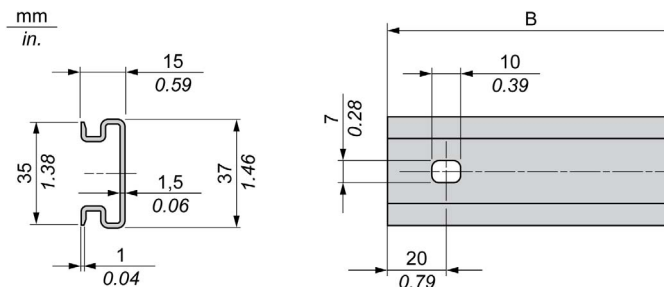
The following illustration and table shows the references of the symmetric top hat section rails (DIN rail) of 2000 mm (78.74 in.):



Reference	Type	Rail Length
NSYSDR200 ¹	A	2000 mm (78.74 in.)
NSYSDR200D ²	A	
1 Unperforated galvanized steel 2 Perforated galvanized steel		

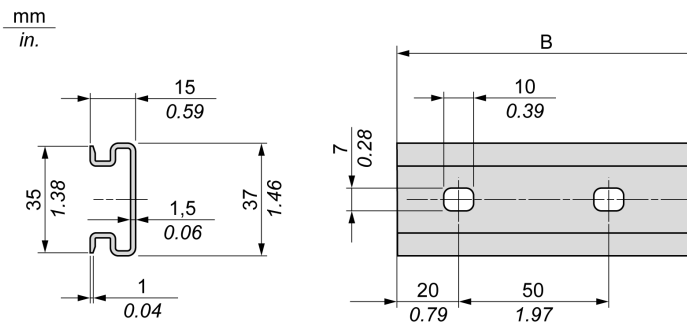
Double-Profile Top Hat Section Rails (DIN rail)

The following illustration and table show the references of the double-profile top hat section rails (DIN rails) for the wall-mounting range:



Reference	Type	Rail Length (B)
NSYDPR25	W	250 mm (9.84 in.)
NSYDPR35	W	350 mm (13.77 in.)
NSYDPR45	W	450 mm (17.71 in.)
NSYDPR55	W	550 mm (21.65 in.)
NSYDPR65	W	650 mm (25.60 in.)
NSYDPR75	W	750 mm (29.52 in.)

The following illustration and table show the references of the double-profile top hat section rails (DIN rail) for the floor-standing range:



Reference	Type	Rail Length (B)
NSYDPR60	F	588 mm (23.15 in.)
NSYDPR80	F	788 mm (31.02 in.)
NSYDPR100	F	988 mm (38.89 in.)
NSYDPR120	F	1188 mm (46.77 in.)

Installing and Removing the Controller with Expansions

Overview

This section describes how to install and remove the controller with its expansion modules from a top hat section rail (DIN rail).

To assemble expansion modules to a controller or receiver module, or to other modules, refer to the respective expansion modules hardware guide(s).

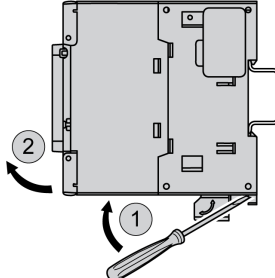
Installing a Controller with its Expansions on a DIN Rail

The following procedure describes how to install a controller with its expansion modules on a top hat section rail (DIN rail):

Step	Action
1	Fasten the top hat section rail (DIN rail) to a panel surface using screws.
2	Position the top groove of the controller and its expansion modules on the top edge of the DIN rail and press the assembly against the top hat section rail (DIN rail) until you hear the top hat section rail (DIN rail) clip snap into place. <div data-bbox="356 714 706 990" data-label="Image"> </div>
3	Place 2 terminal block end clamps on both sides of the controller and expansion module assembly. <div data-bbox="356 1096 624 1339" data-label="Image"> <p style="text-align: center;">AB1AB8P35</p> </div> <p>NOTE: Type ABB8P35 or equivalent terminal block end clamps help minimize sideways movement and improve the shock and vibration characteristics of the controller and expansion module assembly.</p>

Removing a Controller with its Expansions from a Top Hat Section Rail (DIN Rail)

The following procedure describes how to remove a controller with its expansion modules from a top hat section rail (DIN rail):

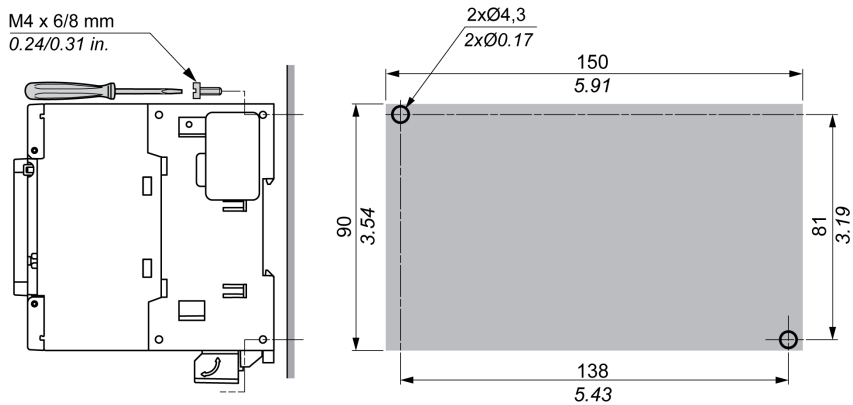
Step	Action
1	Remove all power from your controller and expansion modules.
2	Insert a flat screwdriver into the slot of the top hat section rail (DIN rail) clip. 
3	Pull down the DIN rail clip.
4	Pull the controller and its expansion modules from the top hat section rail (DIN rail) from the bottom.

Direct Mounting on a Panel Surface

Mounting Hole Layout

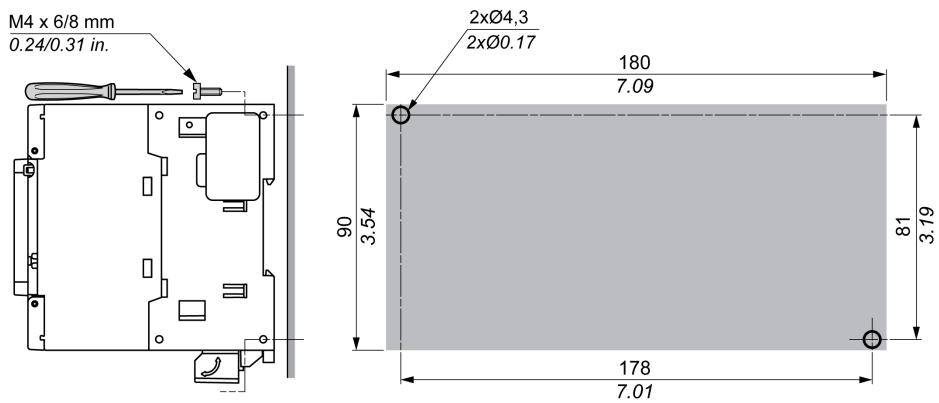
The following diagram shows the mounting hole layout for M241 Logic Controller with 24 I/O channels:

$\frac{\text{mm}}{\text{in.}}$



The following diagram shows the mounting hole layout for M241 Logic Controller with 40 I/O channels:

$\frac{\text{mm}}{\text{in.}}$



Section 3.3

M241 Electrical Requirements

What Is in This Section?

This section contains the following topics:

Topic	Page
Wiring Best Practices	81
DC Power Supply Characteristics and Wiring	87
AC Power Supply Characteristics and Wiring	91
Grounding the M241 System	94

Wiring Best Practices

Overview

This section describes the wiring guidelines and associated best practices to be respected when using the M241 Logic Controller system.

DANGER

HAZARD OF ELECTRIC SHOCK, EXPLOSION OR ARC FLASH

- Disconnect all power from all equipment including connected devices prior to removing any covers or doors, or installing or removing any accessories, hardware, cables, or wires except under the specific conditions specified in the appropriate hardware guide for this equipment.
- Always use a properly rated voltage sensing device to confirm the power is off where and when indicated.
- Replace and secure all covers, accessories, hardware, cables, and wires and confirm that a proper ground connection exists before applying power to the unit.
- Use only the specified voltage when operating this equipment and any associated products.

Failure to follow these instructions will result in death or serious injury.

WARNING

LOSS OF CONTROL

- The designer of any control scheme must consider the potential failure modes of control paths and, for certain critical control functions, provide a means to achieve a safe state during and after a path failure. Examples of critical control functions are emergency stop and overtravel stop, power outage and restart.
- Separate or redundant control paths must be provided for critical control functions.
- System control paths may include communication links. Consideration must be given to the implications of unanticipated transmission delays or failures of the link.
- Observe all accident prevention regulations and local safety guidelines.¹
- Each implementation of this equipment must be individually and thoroughly tested for proper operation before being placed into service.

Failure to follow these instructions can result in death, serious injury, or equipment damage.

¹ For additional information, refer to NEMA ICS 1.1 (latest edition), "Safety Guidelines for the Application, Installation, and Maintenance of Solid State Control" and to NEMA ICS 7.1 (latest edition), "Safety Standards for Construction and Guide for Selection, Installation and Operation of Adjustable-Speed Drive Systems" or their equivalent governing your particular location.

Wiring Guidelines

The following rules must be applied when wiring a M241 Logic Controller system:

- I/O and communication wiring must be kept separate from the power wiring. Route these 2 types of wiring in separate cable ducting.
- Verify that the operating conditions and environment are within the specification values.
- Use proper wire sizes to meet voltage and current requirements.
- Use copper conductors (required).
- Use twisted pair, shielded cables for analog, and/or fast I/O.
- Use twisted pair, shielded cables for networks, and fieldbus.

Use shielded, properly grounded cables for all analog and high-speed inputs or outputs and communication connections. If you do not use shielded cable for these connections, electromagnetic interference can cause signal degradation. Degraded signals can cause the controller or attached modules and equipment to perform in an unintended manner.

WARNING

UNINTENDED EQUIPMENT OPERATION

- Use shielded cables for all fast I/O, analog I/O and communication signals.
- Ground cable shields for all analog I/O, fast I/O and communication signals at a single point¹.
- Route communication and I/O cables separately from power cables.

Failure to follow these instructions can result in death, serious injury, or equipment damage.

¹Multipoint grounding is permissible if connections are made to an equipotential ground plane dimensioned to help avoid cable shield damage in the event of power system short-circuit currents.

For more details, refer to Grounding Shielded Cables ([see page 94](#)).

NOTE: Surface temperatures may exceed 60° C. To conform to IEC 61010 standards, route primary wiring (wires connected to power mains) separately and apart from secondary wiring (extra low voltage wiring coming from intervening power sources). If that is not possible, double insulation is required such as conduit or cable gains.

Rules for Removable Screw Terminal Block

The following tables show the cable types and wire sizes for a **5.08 pitch** removable screw terminal block (I/Os and power supply):

mm ²	0.2...2.5	0.2...2.5	0.25...2.5	0.25...2.5	2 x 0.2...1	2 x 0.2...1.5	2 x 0.25...1	2 x 0.5...1.5
AWG	24...14	24...14	23...14	23...14	2 x 24...17	2 x 24...16	2 x 23...17	2 x 20...16
		N•m		0.5...0.6				
Ø 3,5 mm (0.14 in.)		C		lb-in		4.42...5.31		

The use of copper conductors is required.

DANGER

LOOSE WIRING CAUSES ELECTRIC SHOCK

- Tighten connections in conformance with the torque specifications.
- Do not insert more than one wire per connector of the terminal block without the cable ends specified above.

Failure to follow these instructions will result in death or serious injury.

DANGER

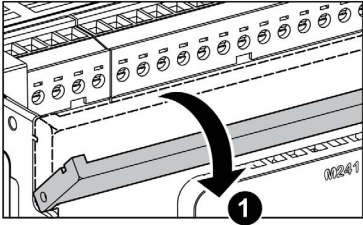
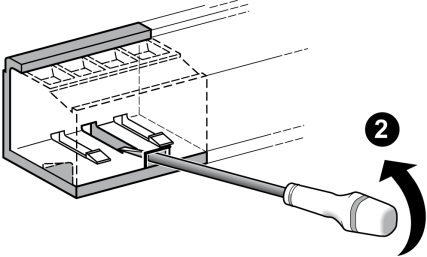
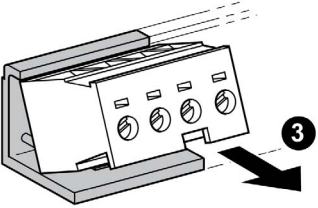
FIRE HAZARD

- Use only the recommended wire sizes for the current capacity of the I/O channels and power supplies.
- For relay output (2 A) wiring, use conductors of at least 0.5 mm² (AWG 20) with a temperature rating of at least 80 °C (176 °F).
- For common conductors of relay output wiring (7 A), or relay output wiring greater than 2 A, use conductors of at least 1.0 mm² (AWG 16) with a temperature rating of at least 80 °C (176 °F).

Failure to follow these instructions will result in death or serious injury.

Removing the I/O Terminal Block

The following figure shows the removal of the I/O terminal block from the M241 Logic Controller:

Step	Action
1	Remove power from your controller.
2	Pull down the protective cache: 
3	Press with a screwdriver through the terminal block front hole: 
4	Remove the terminal block: 

Protecting Outputs from Inductive Load Damage

Depending on the load, a protection circuit may be needed for the outputs on the controllers and certain modules. Inductive loads using DC voltages may create voltage reflections resulting in overshoot that will damage or shorten the life of output devices.

⚠ CAUTION

OUTPUT CIRCUIT DAMAGE DUE TO INDUCTIVE LOADS

Use an appropriate external protective circuit or device to reduce the risk of inductive direct current load damage.

Failure to follow these instructions can result in injury or equipment damage.

If your controller or module contains relay outputs, these types of outputs can support up to 240 Vac. Inductive damage to these types of outputs can result in welded contacts and loss of control. Each inductive load must include a protection device such as a peak limiter, RC circuit or flyback diode. Capacitive loads are not supported by these relays.

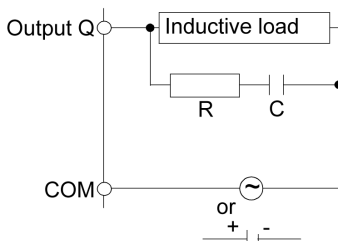
⚠ WARNING

RELAY OUTPUTS WELDED CLOSED

- Always protect relay outputs from inductive alternating current load damage using an appropriate external protective circuit or device.
- Do not connect relay outputs to capacitive loads.

Failure to follow these instructions can result in death, serious injury, or equipment damage.

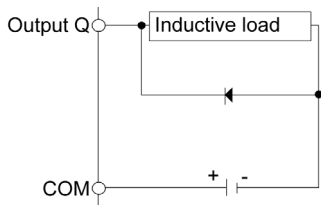
Protective circuit A: this protection circuit can be used for both AC and DC load power circuits.



C Value from 0.1 to 1 μF

R Resistor of approximately the same resistance value as the load

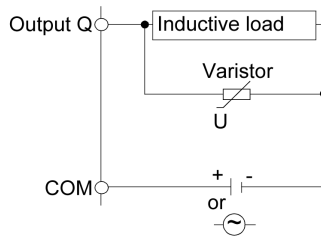
Protective circuit B: this protection circuit can be used for DC load power circuits.



Use a diode with the following ratings:

- Reverse withstand voltage: power voltage of the load circuit x 10.
- Forward current: more than the load current.

Protective circuit C: this protection circuit can be used for both AC and DC load power circuits.



In applications where the inductive load is switched on and off frequently and/or rapidly, ensure that the continuous energy rating (J) of the varistor exceeds the peak load energy by 20 % or more.

DC Power Supply Characteristics and Wiring

Overview

This section provides the characteristics and the wiring diagrams of the DC power supply.

DC Power Supply Voltage Range

If the specified voltage range is not maintained, outputs may not switch as expected. Use appropriate safety interlocks and voltage monitoring circuits.

DANGER

FIRE HAZARD

- Use only the recommended wire sizes for the current capacity of the I/O channels and power supplies.
- For relay output (2 A) wiring, use conductors of at least 0.5 mm² (AWG 20) with a temperature rating of at least 80 °C (176 °F).
- For common conductors of relay output wiring (7 A), or relay output wiring greater than 2 A, use conductors of at least 1.0 mm² (AWG 16) with a temperature rating of at least 80 °C (176 °F).

Failure to follow these instructions will result in death or serious injury.

WARNING

UNINTENDED EQUIPMENT OPERATION

Do not exceed any of the rated values specified in the environmental and electrical characteristics tables.

Failure to follow these instructions can result in death, serious injury, or equipment damage.

DC Power Supply Requirements

The M241 Logic Controller and associated I/O (TM2, TM3 and embedded I/O) require power supplies with a nominal voltage of 24 Vdc. The 24 Vdc power supplies must be rated Safety Extra Low Voltage (SELV) or Protective Extra Low Voltage (PELV) according to IEC 61140. These power supplies are isolated between the electrical input and output circuits of the power supply.

WARNING

POTENTIAL OF OVERHEATING AND FIRE

- Do not connect the equipment directly to line voltage.
- Use only isolating PELV or SELV power supplies to supply power to the equipment¹.

Failure to follow these instructions can result in death, serious injury, or equipment damage.

¹For compliance to UL (Underwriters Laboratories) requirements, the power supply must also be of a type Class II with a maximum power output availability of less than 100 VA (approximately 4 A at nominal voltage). A Class II circuit requires dry indoor use only in non-hazardous locations, and must be grounded. You must separate Class II circuits from other circuits. If a non-Class II power source is used, either power supply or transformer, you must impose a current limiting device such as a fuse or a circuit breaker with a maximum rating of 4 A, but never exceeding the limits indicated in the electric characteristics and wiring diagrams for this equipment. If the indicated rating of the electrical characteristics or wiring diagrams are greater than 4 A, multiple Class II power supplies may be used.

Controller DC Characteristics

The following table shows the DC power supply characteristics required for the controller:

Characteristic		Value
Rated voltage		24 Vdc
Power supply voltage range		20.4...28.8 Vdc
Power interruption time		1 ms at 24 Vdc
Maximum inrush current		50 A
Power consumption		typical 32.6 W max. 40.4 W
Isolation	between DC power supply and internal logic	Not isolated
	between DC power supply and protective earth ground (PE)	500 Vac

Power interruption

The TM241C••24T / TM241C•40T / TM241C••24U and TM241C•40U must be supplied by an external 24 V power supply equipment. During power interruptions, the M241 Logic Controller, associated to the suitable power supply, is able to continue normal operation for a minimum of 10 ms as specified by IEC standards.

When planning the management of the power supplied to the controller, you must consider the power interruption duration due to the fast cycle time of the controller.

There could potentially be many scans of the logic and consequential updates to the I/O image table during the power interruption, while there is no external power supplied to the inputs, the outputs or both depending on the power system architecture and power interruption circumstances.

WARNING

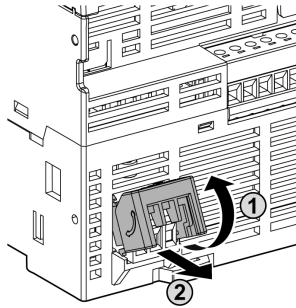
UNINTENDED EQUIPMENT OPERATION

- Individually monitor each source of power used in the controller system including input power supplies, output power supplies and the power supply to the controller to allow appropriate system shutdown during power system interruptions.
- The inputs monitoring each of the power supply sources must be unfiltered inputs.

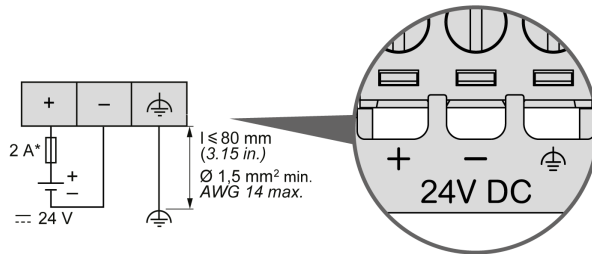
Failure to follow these instructions can result in death, serious injury, or equipment damage.

DC Power Supply Wiring Diagram

The following figure shows the power supply terminal block removal procedure:



The following figure shows the wiring of the DC power supply:



* Type T fuse

For more information, refer to the 5.08 pitch Rules for Removable Screw Terminal block ([see page 83](#)).

AC Power Supply Characteristics and Wiring

Overview

This section provides the wiring diagrams and the characteristics of the AC power supply.

AC Power Supply Voltage Range

If the specified voltage range is not maintained, outputs may not switch as expected. Use appropriate safety interlocks and voltage monitoring circuits.

DANGER

FIRE HAZARD

- Use only the recommended wire sizes for the current capacity of the I/O channels and power supplies.
- For relay output (2 A) wiring, use conductors of at least 0.5 mm² (AWG 20) with a temperature rating of at least 80 °C (176 °F).
- For common conductors of relay output wiring (7 A), or relay output wiring greater than 2 A, use conductors of at least 1.0 mm² (AWG 16) with a temperature rating of at least 80 °C (176 °F).

Failure to follow these instructions will result in death or serious injury.

WARNING

UNINTENDED EQUIPMENT OPERATION

Do not exceed any of the rated values specified in the environmental and electrical characteristics tables.

Failure to follow these instructions can result in death, serious injury, or equipment damage.

Controller AC Characteristics

The following table shows the AC power supply characteristics:

Characteristic		Value
Voltage	rated	100...240 Vac
	limit (including ripple)	85...264 Vac
Frequency		50/60 Hz
Power interruption time	at 100 Vac	10 ms
Maximum inrush current	at 240 Vac	42.5 A
Typical power consumption	at 100 Vac	78 VA
	at 240 Vac	98.4 VA
Isolation	between AC power supply and internal logic	1780 Vac
	between AC power supply and protective earth ground (PE)	2500 Vdc

Power interruption

The duration of power interruptions where the M241 Logic Controller is able to continue normal operation varies depending upon the load to the power supply of the controller, but generally a minimum of 10 ms is maintained as specified by IEC standards.

If there is a minimum load on the controller power supply, the interruption can be as long as 400 ms.

When planning the management of the power supplied to the controller, you must consider the duration due to the fast cycle time.

There could potentially be many scans of the logic and consequential updates to the I/O image table during the power interruption, while there is no external power supplied to the inputs, the outputs or both depending on the power system architecture and power interruption circumstances.

WARNING

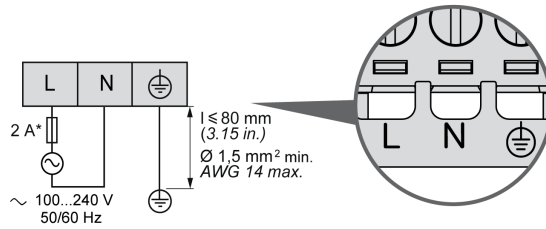
UNINTENDED EQUIPMENT OPERATION

- Individually monitor each source of power used in the Modicon M241 Logic Controller system including input power supplies, output power supplies and the power supply to the controller to allow appropriate system shutdown during power system interruptions.
- The inputs monitoring each of the power supply sources must be unfiltered inputs.

Failure to follow these instructions can result in death, serious injury, or equipment damage.

AC Power Supply Wiring Diagram

The following figure shows the wiring of the AC power supply:



Grounding the M241 System

Overview

To help minimize the effects of electromagnetic interference, cables carrying the fast I/O, analog I/O, and field bus communication signals must be shielded.

WARNING

UNINTENDED EQUIPMENT OPERATION

- Use shielded cables for all fast I/O, analog I/O, and communication signals.
- Ground cable shields for all fast I/O, analog I/O, and communication signals at a single point¹.
- Route communications and I/O cables separately from power cables.

Failure to follow these instructions can result in death, serious injury, or equipment damage.

¹Multipoint grounding is permissible if connections are made to an equipotential ground plane dimensioned to help avoid cable shield damage in the event of power system short-circuit currents.

The use of shielded cables requires compliance with the following wiring rules:

- For protective ground connections (PE), metal conduit or ducting can be used for part of the shielding length, provided there is no break in the continuity of the ground connections. For functional ground (FE), the shielding is intended to attenuate electromagnetic interference and the shielding must be continuous for the length of the cable. If the purpose is both functional and protective, as is often the case for communication cables, the cable must have continuous shielding.
- Wherever possible, keep cables carrying one type of signal separate from the cables carrying other types of signals or power.

Protective Ground (PE) on the Backplane

The protective ground (PE) should be connected to the conductive backplane by a heavy-duty wire, usually a braided copper cable with the maximum allowable cable section.

Shielded Cables Connections

Cables carrying the fast I/O, analog I/O, and field bus communication signals must be shielded. The shielding must be securely connected to ground. The fast I/O and analog I/O shields may be connected either to the functional ground (FE) or to the protective ground (PE) of your M241 Logic Controller. The field bus communication cable shields must be connected to the protective ground (PE) with a connecting clamp secured to the conductive backplane of your installation.

WARNING

ACCIDENTAL DISCONNECTION FROM PROTECTIVE GROUND (PE)

- Do not use the TM2XMTGB Grounding Bar to provide a protective ground (PE).
- Use the TM2XMTGB Grounding Bar only to provide a functional ground (FE).

Failure to follow these instructions can result in death, serious injury, or equipment damage.

The shielding of the Modbus cable must be connected to the protective ground (PE).

DANGER

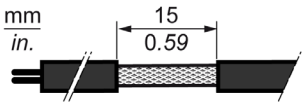
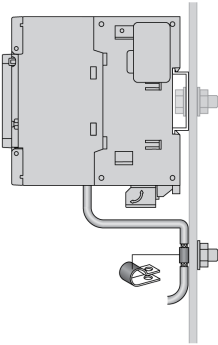
HAZARD OF ELECTRIC SHOCK

- The grounding terminal connection (PE) must be used to provide a protective ground at all times.
- Make sure that an appropriate, braided ground cable is attached to the PE/PG ground terminal before connecting or disconnecting the network cable to the equipment.

Failure to follow these instructions will result in death or serious injury.

Protective Ground (PE) Cable Shielding

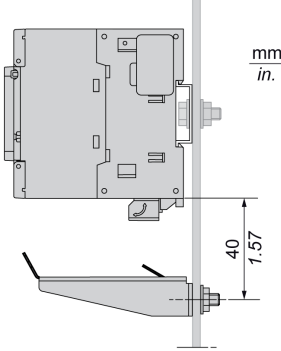
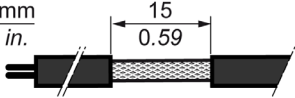
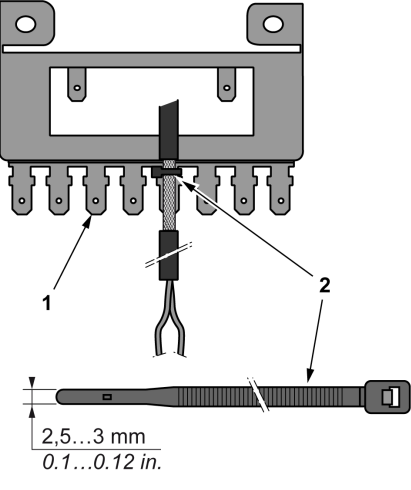
To ground the shield of a cable through a grounding clamp:

Step	Description	
1	Strip the shielding for a length of 15 mm (0.59 in.)	
2	Attach the cable to the conductive backplane plate by attaching the grounding clamp to the stripped part of the shielding as close as possible to the M241 Logic Controller system base.	

NOTE: The shielding must be clamped securely to the conductive backplane to ensure a good contact.

Functional Ground (FE) Cable Shielding

To connect the shield of a cable through the Grounding Bar:

Step	Description	
1	Install the Grounding Bar (see <i>Modicon TM2, Digital I/O Modules, Hardware Guide</i>) directly on the conductive backplane below the M241 Logic Controller system as illustrated.	
2	Strip the shielding for a length of 15 mm (0.59 in.).	
3	Tightly clamp on the blade connector (1) using nylon fastener (2) (width 2.5...3 mm (0.1...0.12 in.)) and appropriate tool.	

NOTE: Use the TM2XMTGB Grounding Bar for Functional Ground (FE) connections.

Part II

Modicon M241 Logic Controller

What Is in This Part?

This part contains the following chapters:

Chapter	Chapter Name	Page
4	TM241C24R	101
5	TM241CE24R	105
6	TM241CEC24R	111
7	TM241C24T	117
8	TM241CE24T	121
9	TM241CEC24T	127
10	TM241C24U	133
11	TM241CE24U	137
12	TM241CEC24U	143
13	TM241C40R	149
14	TM241CE40R	153
15	TM241C40T	157
16	TM241CE40T	161
17	TM241C40U	165
18	TM241CE40U	169
19	Embedded I/O Channels	173

Chapter 4

TM241C24R

TM241C24R Presentation

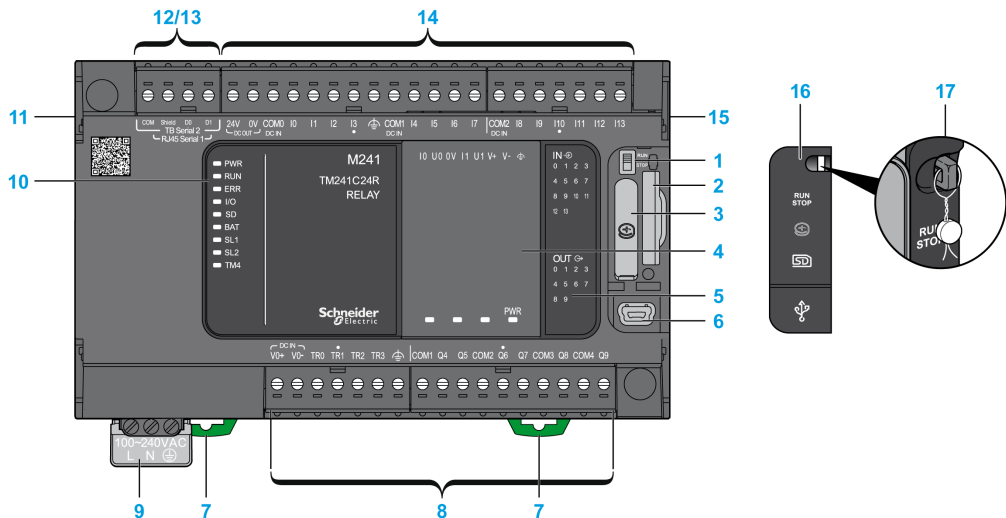
Overview

TM241C24R logic controller:

- 14 digital inputs
 - 8 fast inputs
 - 6 regular inputs
- 10 digital outputs
 - 4 fast outputs
 - 6 relay outputs (2 A)
- Communication port
 - 2 serial line ports
 - 1 USB mini-B programming port

Description

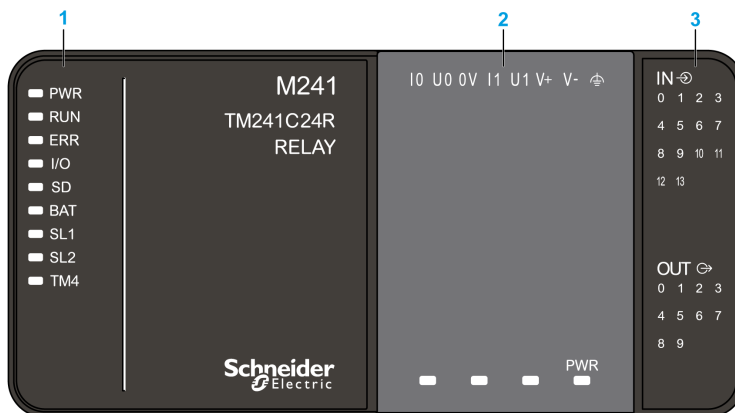
The following figure shows the different components of the TM241C24R logic controller:



N°	Description	Refer to
1	Run/Stop switch	Run/Stop (see page 54)
2	SD card slot	SD Card (see page 56)
3	Battery holder	Real Time Clock (RTC) (see page 42)
4	Cartridge slot	–
5	LEDs for indicating I/O states	Digital Inputs Status LEDs (see page 175)
		Relay Outputs Status LEDs (see page 182)
		Fast Outputs Status LEDs (see page 193)
6	USB mini-B programming port / For terminal connection to a programming PC (SoMachine)	USB Mini-B Programming Port (see page 205)
7	Clip-on lock for 35 mm (1.38 in.) top hat section rail (DIN-rail)	Top Hat Section Rail (see page 74)
8	Embedded relay outputs	Relay Outputs (see page 181)
	Embedded fast transistor outputs	Fast Transistor Outputs (see page 192)
	Output removable terminal block	Rules for Removable Screw Terminal Block (see page 83)
9	100...240 Vac 50/60 Hz power supply	AC Power Supply Characteristics and Wiring (see page 91)
10	Status LEDs	–
11	TM4 bus connector	TM4 Expansion Modules (see page 25)
12	Serial line port 1 / Type RJ45 (RS-232 or RS-485)	Serial Line 1 (see page 207)
13	Serial line port 2 / Screw terminal block type (RS-485)	Serial Line 2 (see page 211)
14	Embedded digital inputs	Embedded Digital Inputs (see page 174)
	Input removable terminal block	Rules for Removable Screw Terminal Block (see page 83)
15	TM3/TM2 bus connector	TM3 Expansion Modules (see page 26)
16	Protective cover (SD card slot, Run/Stop switch, and USB mini-B programming port)	–
17	Locking hook (Hook not included)	–

Status LEDs

The following figure shows the status LEDs:



- 1 System status LEDs
- 2 Cartridge status LEDs (optional)
- 3 I/Os status LEDs

The following table describes the system status LEDs:

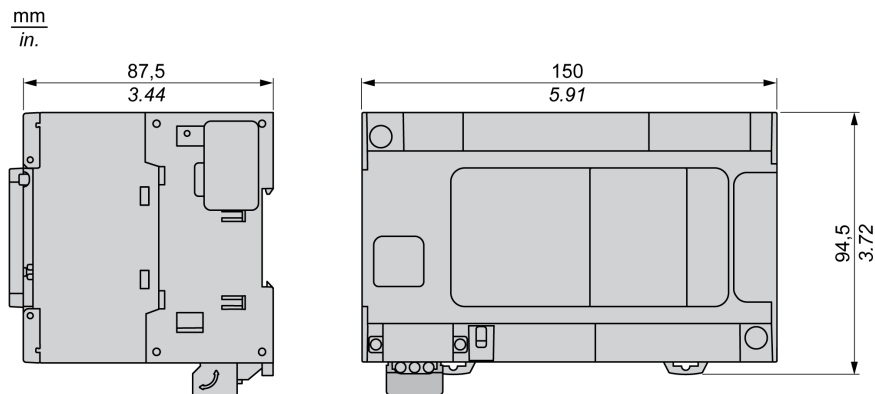
Label	Function Type	Color	Status	Description		
				Controller States ¹	Prg Port Communication	Application Execution
PWR	Power	Green	On	Indicates that power is applied.		
			Off	Indicates that power is removed.		
RUN	Machine status	Green	On	Indicates that the controller is running a valid application.		
			Flashing	Indicates that the controller has a valid application that is stopped.		
			1 flash	Indicates that the controller has paused at BREAKPOINT.		
			Off	Indicates that the controller is not programmed	-	-
ERR	Error	Red	On	EXCEPTION	Restricted	NO
			Flashing	INTERNAL ERROR	Restricted	NO
			1 single flash	Minor error detected	Yes	NO
			3 flashes	No Application	Yes	Yes
I/O	I/O error	Red	On	Indicates device errors on the serial line 1 or 2, SD card, cartridge, TM4 bus, TM3 bus.		
SD	SD card access	Green	On	Indicates that the SD card is being accessed		

Label	Function Type	Color	Status	Description		
				Controller States ¹	Prg Port Communication	Application Execution
BAT	Battery	Red	On	Indicates that the battery needs to be replaced.		
			Flashing	Indicates that the battery charge is low.		
SL1	Serial line 1	Green	On	Indicates the status of serial line 1 (<i>see page 210</i>)		
			Off	Indicates no serial communication		
SL2	Serial line 2	Green	On	Indicates the status of serial line 2 (<i>see page 212</i>)		
			Off	Indicates no serial communication		
TM4	Error on TM4 bus	Red	On	Indicates that an error has been detected on the TM4 bus		
			Off	Indicates that no error has been detected on the TM4 bus		

¹ For more information about the controller state description, refer to the M241 Logic Controller - Programming Guide.

Dimensions

The following figure shows the external dimensions of the logic controller:



Chapter 5

TM241CE24R

TM241CE24R Presentation

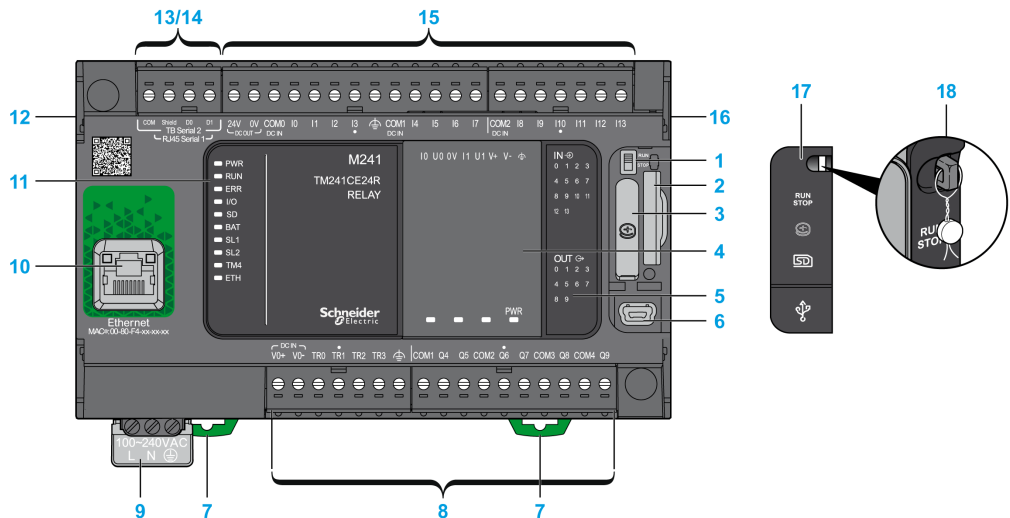
Overview

TM241CE24R logic controller:

- 14 digital inputs
 - 8 fast inputs
 - 6 regular inputs
- 10 digital outputs
 - 4 fast outputs
 - 6 relay outputs (2 A)
- Communication port
 - 2 serial line ports
 - 1 Ethernet port
 - 1 USB mini-B programming port

Description

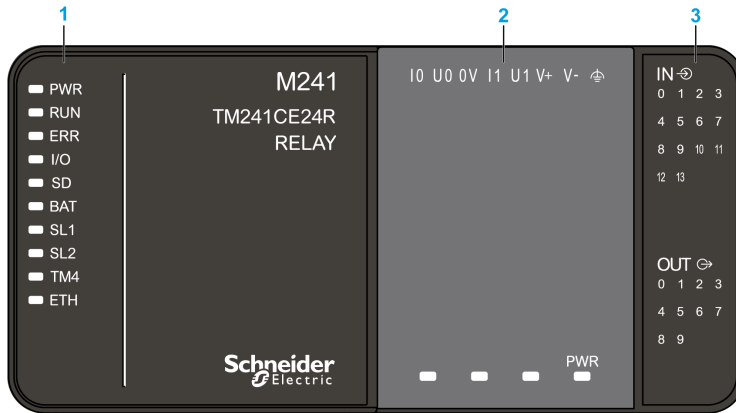
The following figure shows the different components of the TM241CE24R logic controller:



N°	Description	Refer to
1	Run/Stop switch	Run/Stop (see page 54)
2	SD card slot	SD Card (see page 56)
3	Battery holder	Real Time Clock (RTC) (see page 42)
4	Cartridge slot	–
5	LEDs for indicating I/O states	Digital Inputs Status LEDs (see page 175)
		Relay Outputs Status LEDs (see page 182)
		Fast Outputs Status LEDs (see page 193)
6	USB mini-B programming port / For terminal connection to a programming PC (SoMachine)	USB Mini-B Programming Port (see page 205)
7	Clip-on lock for 35 mm (1.38 in.) top hat section rail (DIN-rail)	Top Hat Section Rail (see page 74)
8	Embedded relay outputs	Relay Outputs (see page 181)
	Embedded fast transistor outputs	Fast Transistor Outputs (see page 192)
	Output removable terminal block	Rules for Removable Screw Terminal Block (see page 83)
9	100...240 Vac 50/60 Hz power supply	AC Power Supply Characteristics and Wiring (see page 91)
10	Ethernet port / Type RJ45 (RS-232 or RS-485)	Ethernet Port (see page 202)
11	Status LEDs	–
12	TM4 bus connector	TM4 Expansion Modules (see page 25)
13	Serial line port 1 / Type RJ45 (RS-232 or RS-485)	Serial Line 1 (see page 207)
14	Serial line port 2 / Screw terminal block type (RS-485)	Serial Line 2 (see page 211)
15	Embedded digital inputs	Embedded Digital Inputs (see page 174)
	Input removable terminal block	Rules for Removable Screw Terminal Block (see page 83)
16	TM3/TM2 bus connector	TM3 Expansion Modules (see page 26)
17	Protective cover (SD card slot, Run/Stop switch, and USB mini-B programming port)	–
18	Locking hook (Hook not included)	–

Status LEDs

The following figure shows the status LEDs:



- 1 System status LEDs
- 2 Cartridge status LEDs (optional)
- 3 I/Os status LEDs

The following table describes the system status LEDs:

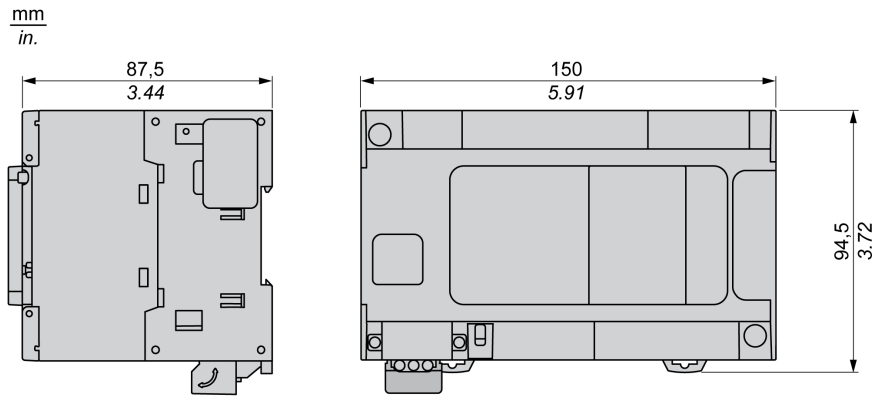
Label	Function Type	Color	Status	Description		
				Controller States ¹	Prg Port Communication	Application Execution
PWR	Power	Green	On	Indicates that power is applied.		
			Off	Indicates that power is removed.		
RUN	Machine status	Green	On	Indicates that the controller is running a valid application.		
			Flashing	Indicates that the controller has a valid application that is stopped.		
			1 flash	Indicates that the controller has paused at BREAKPOINT.		
			Off	Indicates that the controller is not programmed	-	-
ERR	Error	Red	On	EXCEPTION	Restricted	NO
			Flashing	INTERNAL ERROR	Restricted	NO
			1 single flash	Minor error detected	Yes	NO
			3 flashes	No Application	Yes	Yes

Label	Function Type	Color	Status	Description		
				Controller States ¹	Prg Port Communication	Application Execution
I/O	I/O error	Red	On	Indicates device errors on the serial line 1 or 2, SD card, cartridge, TM4 bus, TM3 bus or Ethernet port.		
SD	SD card access	Green	On	Indicates that the SD card is being accessed		
BAT	Battery	Red	On	Indicates that the battery needs to be replaced.		
			Flashing	Indicates that the battery charge is low.		
SL1	Serial line 1	Green	On	Indicates the status of serial line 1 (see page 210)		
			Off	Indicates no serial communication		
SL2	Serial line 2	Green	On	Indicates the status of serial line 2 (see page 212)		
			Off	Indicates no serial communication		
TM4	Error on TM4 bus	Red	On	Indicates that an error has been detected on the TM4 bus		
			Off	Indicates that no error has been detected on the TM4 bus		
ETH	Ethernet port status	Green	On	Indicates that the ethernet port is connected and the IP address is defined.		
			3 flashes	Indicates that the ethernet port is not connected.		
			4 flashes	Indicates that the IP address is already in used.		
			5 flashes	Indicates that the module is waiting for BOOTP or DHCP sequence.		
			6 flashes	Indicates that the configured IP address is not valid.		

¹ For more information about the controller state description, refer to the M241 Logic Controller - Programming Guide.

Dimensions

The following figure shows the external dimensions of the logic controller:



Chapter 6

TM241CEC24R

TM241CEC24R Presentation

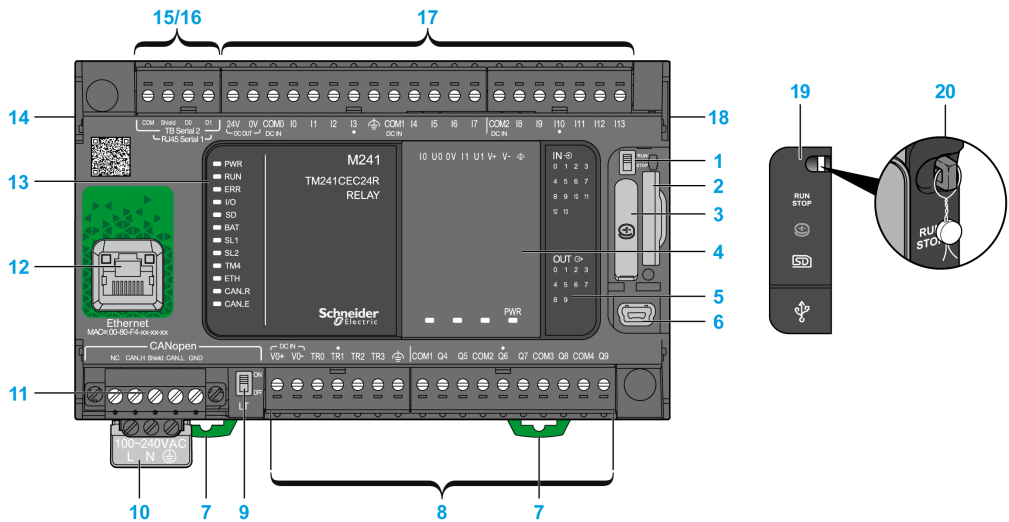
Overview

TM241CEC24R logic controller has:

- 14 digital inputs
 - 8 fast inputs
 - 6 regular inputs
- 10 digital outputs
 - 4 fast outputs
 - 6 relay outputs (2 A)
- Communication port
 - 2 serial line ports
 - 1 Ethernet port
 - 1 CANopen port
 - 1 USB mini-B programming port

Description

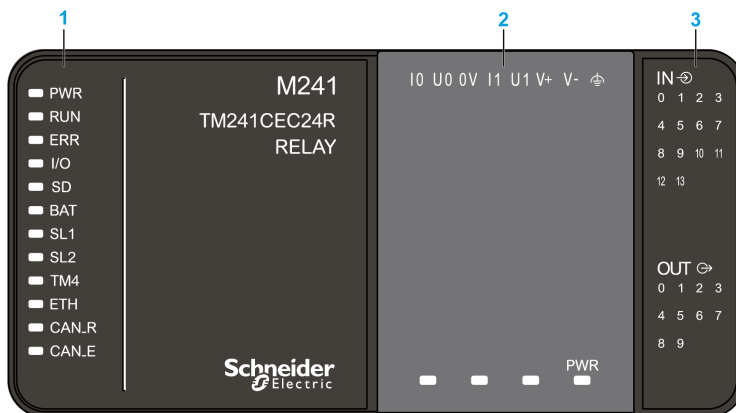
The following figure shows the different components of the TM241CEC24R logic controller:



N°	Description	Refer to
1	Run/Stop switch	Run/Stop (see page 54)
2	SD card slot	SD Card (see page 56)
3	Battery holder	Real Time Clock (RTC) (see page 42)
4	Cartridge slot	–
5	LEDs for indicating I/O states	Digital Inputs Status LEDs (see page 175)
		Relay Outputs Status LEDs (see page 182)
		Fast Outputs Status LEDs (see page 193)
6	USB mini-B programming port / For terminal connection to a programming PC (SoMachine)	USB Mini-B Programming Port (see page 205)
7	Clip-on lock for 35 mm (1.38 in.) top hat section rail (DIN-rail)	Top Hat Section Rail (see page 74)
8	Embedded relay outputs	Relay Outputs (see page 181)
	Embedded fast transistor outputs	Fast Transistor Outputs (see page 192)
	Output removable terminal block	Rules for Removable Screw Terminal Block (see page 83)
9	CANopen Line termination switch	CANopen Port (see page 200)
10	100...240 Vac 50/60 Hz power supply	AC Power Supply Characteristics and Wiring (see page 91)
11	CANopen port / Screw terminal block type	–
12	Ethernet port / Type RJ45 (RS-232 or RS-485)	Ethernet Port (see page 202)
13	Status LEDs	–
14	TM4 bus connector	–
15	Serial line port 1 / Type RJ45 (RS-232 or RS-485)	Serial Line 1 (see page 207)
16	Serial line port 2 / Screw terminal block type (RS-485)	Serial Line 2 (see page 211)
17	Embedded digital inputs	Embedded Digital Inputs (see page 174)
	Input removable terminal block	Rules for Removable Screw Terminal Block (see page 83)
18	TM3/TM2 bus connector	TM3 Expansion Modules (see page 26)
19	Protective cover (SD card slot, Run/Stop switch, and USB mini-B programming port)	–
20	Locking hook (Hook not included)	–

Status LEDs

The following figure shows the status LEDs:



- 1 System status LEDs
- 2 Cartridge status LEDs (optional)
- 3 I/Os status LEDs

The following table describes the system status LEDs:

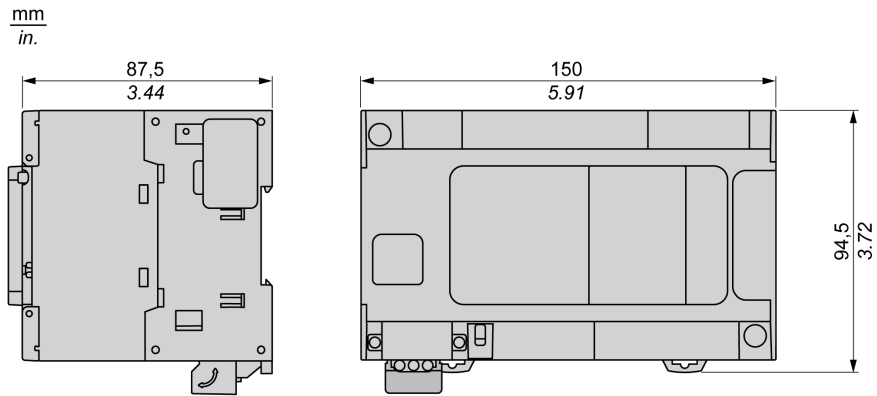
Label	Function Type	Color	Status	Description		
				Controller States ¹	Prg Port Communication	Application Execution
PWR	Power	Green	On	Indicates that power is applied.		
			Off	Indicates that power is removed.		
RUN	Machine status	Green	On	Indicates that the controller is running a valid application.		
			Flashing	Indicates that the controller has a valid application that is stopped.		
			1 flash	Indicates that the controller has paused at BREAKPOINT.		
			Off	Indicates that the controller is not programmed	-	-
ERR	Error	Red	On	EXCEPTION	Restricted	NO
			Flashing	INTERNAL ERROR	Restricted	NO
			1 single flash	Minor error detected	Yes	NO
			3 flashes	No Application	Yes	Yes
I/O	I/O error	Red	On	Indicates device errors on the serial line 1 or 2, SD card, cartridge, TM4 bus, TM3 bus, Ethernet port or CANopen port.		

Label	Function Type	Color	Status	Description		
				Controller States ¹	Prg Port Communication	Application Execution
SD	SD card access	Green	On	Indicates that the SD card is being accessed		
BAT	Battery	Red	On	Indicates that the battery needs to be replaced.		
			Flashing	Indicates that the battery charge is low.		
SL1	Serial line 1	Green	On	Indicates the status of serial line 1 (<i>see page 210</i>)		
			Off	Indicates no serial communication		
SL2	Serial line 2	Green	On	Indicates the status of serial line 2 (<i>see page 212</i>)		
			Off	Indicates no serial communication		
TM4	Error on TM4 bus	Red	On	Indicates that an error has been detected on the TM4 bus		
			Off	Indicates that no error has been detected on the TM4 bus		
ETH	Ethernet port status	Green	On	Indicates that the ethernet port is connected and the IP address is defined.		
			3 flashes	Indicates that the ethernet port is not connected.		
			4 flashes	Indicates that the IP address is already in used.		
			5 flashes	Indicates that the module is waiting for BOOTP or DHCP sequence.		
			6 flashes	Indicates that the configured IP address is not valid.		
CAN R	CANopen running status	Green	On	Indicates that the CANopen bus is operational.		
			Off	Indicates that the CANopen master is configured.		
			Flashing	Indicates that the CANopen bus is being initialized.		
			1 flash per second	Indicates that the CANopen bus is stopped.		
CAN E	CANopen error	Red	On	Indicates that the CANopen bus is stopped (BUS OFF).		
			Off	Indicates no CANopen detected error.		
			Flashing	Indicates that the CANopen bus is not valid.		
			1 flash per second	Indicates that the controller has detected that the maximum number of error frames has been reached or exceeded.		
			2 flashes per second	Indicates that the controller has detected either a Node Guarding or a Heartbeat event.		

¹ For more information about the controller state description, refer to the M241 Logic Controller - Programming Guide.

Dimensions

The following figure shows the external dimensions of the logic controller:



Chapter 7

TM241C24T

TM241C24T Presentation

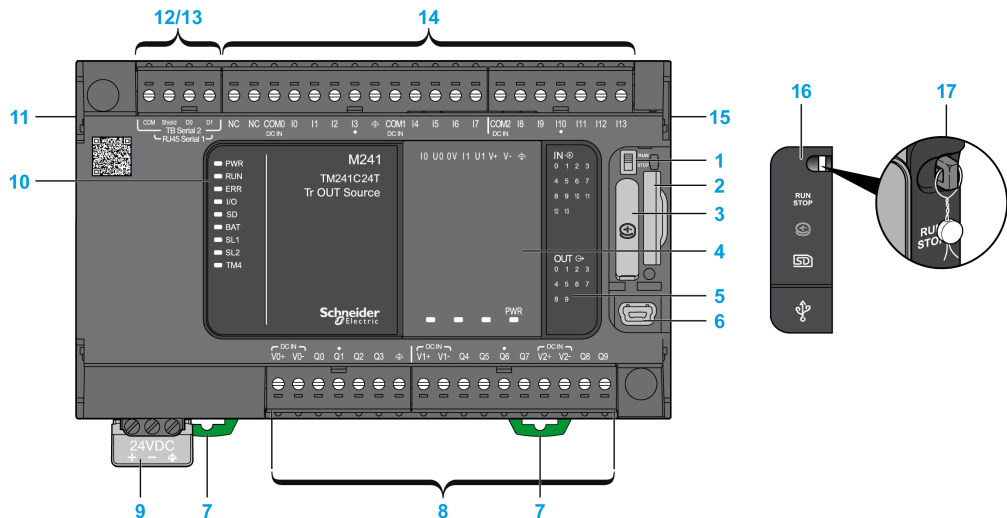
Overview

TM241C24T logic controller:

- 14 digital inputs
 - 8 fast inputs
 - 6 regular inputs
- 10 digital outputs
 - 4 fast outputs
 - 6 regular outputs
- Communication port
 - 2 serial line ports
 - 1 USB mini-B programming port

Description

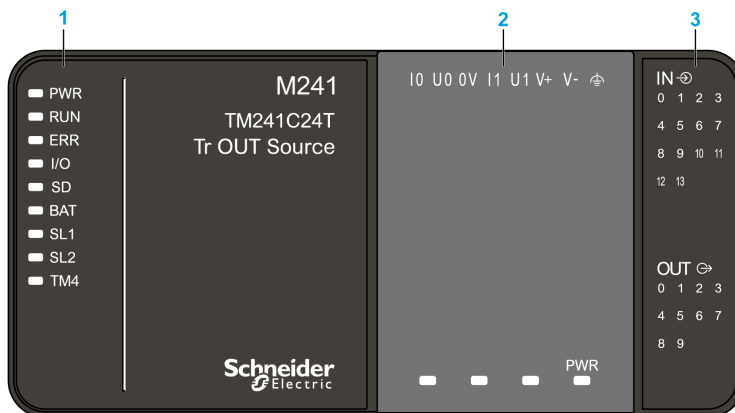
The following figure shows the different components of the TM241C24T logic controller:



N°	Description	Refer to
1	Run/Stop switch	Run/Stop (see page 54)
2	SD card slot	SD Card (see page 56)
3	Battery holder	Real Time Clock (RTC) (see page 42)
4	Cartridge slot	–
5	LEDs for indicating I/O states	Digital Inputs Status LEDs (see page 175)
		Transistor Outputs Status LEDs (see page 188)
		Fast Outputs Status LEDs (see page 193)
6	USB mini-B programming port / For terminal connection to a programming PC (SoMachine)	USB Mini-B Programming Port (see page 205)
7	Clip-on lock for 35 mm (1.38 in.) top hat section rail (DIN-rail)	Top Hat Section Rail (see page 74)
8	Embedded regular transistor outputs	Regular Transistor Outputs (see page 187)
	Embedded fast transistor outputs	Fast Transistor Outputs (see page 192)
	Output removable terminal block	Rules for Removable Screw Terminal Block (see page 83)
9	24 Vdc power supply	DC Power supply Characteristics and Wiring (see page 87)
10	Status LEDs	–
11	TM4 bus connector	TM4 Expansion Modules (see page 25)
12	Serial line port 1 / Type RJ45 (RS-232 or RS-485)	Serial Line 1 (see page 207)
13	Serial line port 2 / Screw terminal block type (RS-485)	Serial Line 2 (see page 211)
14	Embedded digital inputs	Embedded Digital Inputs (see page 174)
	Input removable terminal block	Rules for Removable Screw Terminal Block (see page 83)
15	TM3/TM2 bus connector	TM3 Expansion Modules (see page 26)
16	Protective cover (SD card slot, Run/Stop switch, and USB mini-B programming port)	–
17	Locking hook (Hook not included)	–

Status LEDs

The following figure shows the status LEDs:



- 1 System status LEDs
- 2 Cartridge status LEDs (optional)
- 3 I/Os status LEDs

The following table describes the system status LEDs:

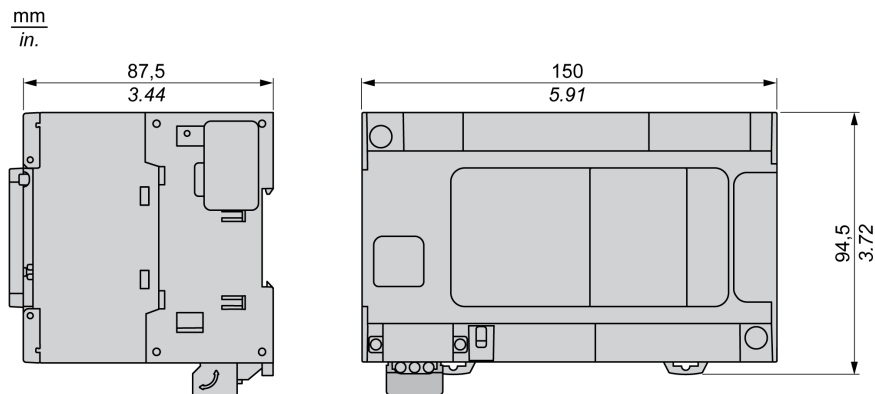
Label	Function Type	Color	Status	Description		
				Controller States ¹	Prg Port Communication	Application Execution
PWR	Power	Green	On	Indicates that power is applied.		
			Off	Indicates that power is removed.		
RUN	Machine status	Green	On	Indicates that the controller is running a valid application.		
			Flashing	Indicates that the controller has a valid application that is stopped.		
			1 flash	Indicates that the controller has paused at BREAKPOINT.		
			Off	Indicates that the controller is not programmed	-	-
ERR	Error	Red	On	EXCEPTION	Restricted	NO
			Flashing	INTERNAL ERROR	Restricted	NO
			1 single flash	Minor error detected	Yes	NO
			3 flashes	No Application	Yes	Yes
I/O	I/O error	Red	On	Indicates device errors on the serial line 1 or 2, SD card, cartridge, TM4 bus, TM3 bus.		
SD	SD card access	Green	On	Indicates that the SD card is being accessed		

Label	Function Type	Color	Status	Description		
				Controller States ¹	Prg Port Communication	Application Execution
BAT	Battery	Red	On	Indicates that the battery needs to be replaced.		
			Flashing	Indicates that the battery charge is low.		
SL1	Serial line 1	Green	On	Indicates the status of serial line 1 (<i>see page 210</i>)		
			Off	Indicates no serial communication		
SL2	Serial line 2	Green	On	Indicates the status of serial line 2 (<i>see page 212</i>)		
			Off	Indicates no serial communication		
TM4	Error on TM4 bus	Red	On	Indicates that an error has been detected on the TM4 bus		
			Off	Indicates that no error has been detected on the TM4 bus		

¹ For more information about the controller state description, refer to the M241 Logic Controller - Programming Guide.

Dimensions

The following figure shows the external dimensions of the logic controller:



Chapter 8

TM241CE24T

TM241CE24T Presentation

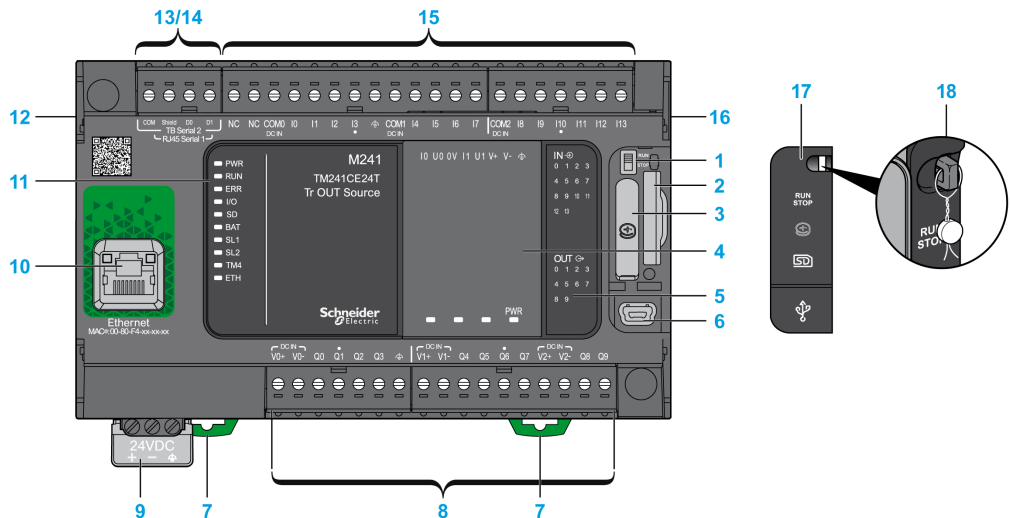
Overview

TM241CE24T logic controller:

- 14 digital inputs
 - 8 fast inputs
 - 6 regular inputs
- 10 digital outputs
 - 4 fast outputs
 - 6 regular outputs
- Communication port
 - 2 serial line ports
 - 1 Ethernet port
 - 1 USB mini-B programming port

Description

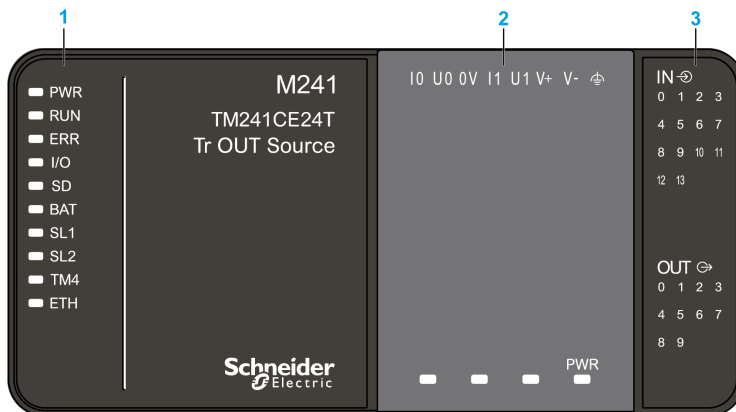
The following figure shows the different components of the TM241CE24T logic controller:



N°	Description	Refer to
1	Run/Stop switch	Run/Stop (see page 54)
2	SD card slot	SD Card (see page 56)
3	Battery holder	Real Time Clock (RTC) (see page 42)
4	Cartridge slot	–
5	LEDs for indicating I/O states	Digital Inputs Status LEDs (see page 175)
		Transistor Outputs Status LEDs (see page 188)
		Fast Outputs Status LEDs (see page 193)
6	USB mini-B programming port / For terminal connection to a programming PC (SoMachine)	USB Mini-B Programming Port (see page 205)
7	Clip-on lock for 35 mm (1.38 in.) top hat section rail (DIN-rail)	Top Hat Section Rail (see page 74)
8	Embedded regular transistor outputs	Regular Transistor Outputs (see page 187)
	Embedded fast transistor outputs	Fast Transistor Outputs (see page 192)
	Output removable terminal block	Rules for Removable Screw Terminal Block (see page 83)
9	24 Vdc power supply	DC Power supply Characteristics and Wiring (see page 87)
10	Ethernet port / Type RJ45 (RS-232 or RS-485)	Ethernet Port (see page 202)
11	Status LEDs	–
12	TM4 bus connector	TM4 Expansion Modules (see page 25)
13	Serial line port 1 / Type RJ45 (RS-232 or RS-485)	Serial Line 1 (see page 207)
14	Serial line port 2 / Screw terminal block type (RS-485)	Serial Line 2 (see page 211)
15	Embedded digital inputs	Embedded Digital Inputs (see page 174)
	Input removable terminal block	Rules for Removable Screw Terminal Block (see page 83)
16	TM3/TM2 bus connector	TM3 Expansion Modules (see page 26)
17	Protective cover (SD card slot, Run/Stop switch, and USB mini-B programming port)	–
18	Locking hook (Hook not included)	–

Status LEDs

The following figure shows the status LEDs:



- 1 System status LEDs
- 2 Cartridge status LEDs (optional)
- 3 I/Os status LEDs

The following table describes the system status LEDs:

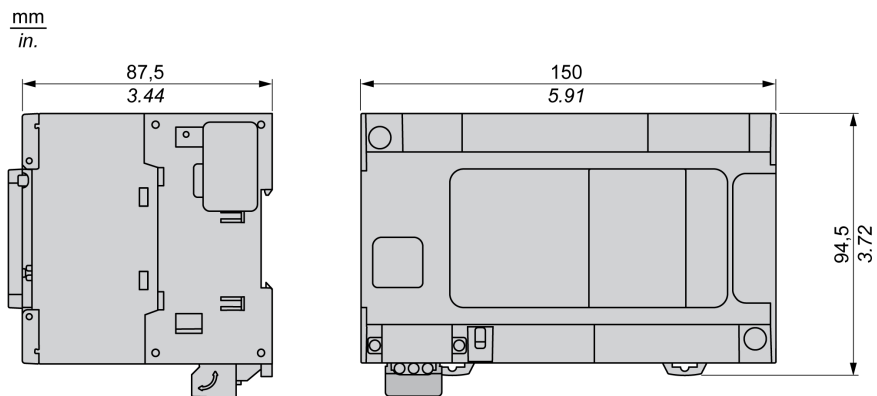
Label	Function Type	Color	Status	Description		
				Controller States ¹	Prg Port Communication	Application Execution
PWR	Power	Green	On	Indicates that power is applied.		
			Off	Indicates that power is removed.		
RUN	Machine status	Green	On	Indicates that the controller is running a valid application.		
			Flashing	Indicates that the controller has a valid application that is stopped.		
			1 flash	Indicates that the controller has paused at BREAKPOINT.		
			Off	Indicates that the controller is not programmed	-	-
ERR	Error	Red	On	EXCEPTION	Restricted	NO
			Flashing	INTERNAL ERROR	Restricted	NO
			1 single flash	Minor error detected	Yes	NO
			3 flashes	No Application	Yes	Yes

Label	Function Type	Color	Status	Description		
				Controller States ¹	Prg Port Communication	Application Execution
I/O	I/O error	Red	On	Indicates device errors on the serial line 1 or 2, SD card, cartridge, TM4 bus, TM3 bus or Ethernet port.		
SD	SD card access	Green	On	Indicates that the SD card is being accessed		
BAT	Battery	Red	On	Indicates that the battery needs to be replaced.		
			Flashing	Indicates that the battery charge is low.		
SL1	Serial line 1	Green	On	Indicates the status of serial line 1 (see page 210)		
			Off	Indicates no serial communication		
SL2	Serial line 2	Green	On	Indicates the status of serial line 2 (see page 212)		
			Off	Indicates no serial communication		
TM4	Error on TM4 bus	Red	On	Indicates that an error has been detected on the TM4 bus		
			Off	Indicates that no error has been detected on the TM4 bus		
ETH	Ethernet port status	Green	On	Indicates that the ethernet port is connected and the IP address is defined.		
			3 flashes	Indicates that the ethernet port is not connected.		
			4 flashes	Indicates that the IP address is already in used.		
			5 flashes	Indicates that the module is waiting for BOOTP or DHCP sequence.		
			6 flashes	Indicates that the configured IP address is not valid.		

¹ For more information about the controller state description, refer to the M241 Logic Controller - Programming Guide.

Dimensions

The following figure shows the external dimensions of the logic controller:



Chapter 9

TM241CEC24T

TM241CEC24T Presentation

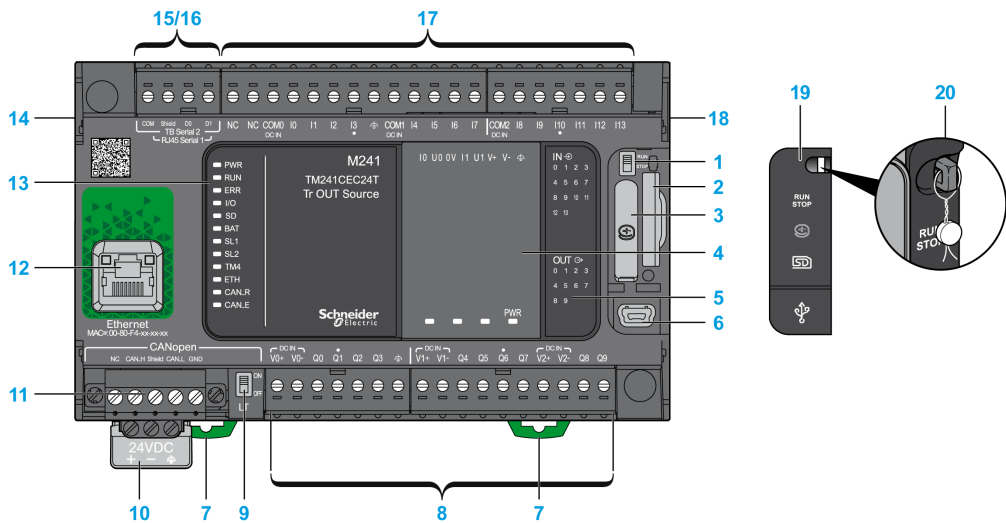
Overview

TM241CEC24T logic controller:

- 14 digital inputs
 - 8 fast inputs
 - 6 regular inputs
- 10 digital outputs
 - 4 fast outputs
 - 6 regular outputs
- Communication port
 - 2 serial line ports
 - 1 Ethernet port
 - 1 CANopen port
 - 1 USB mini-B programming port

Description

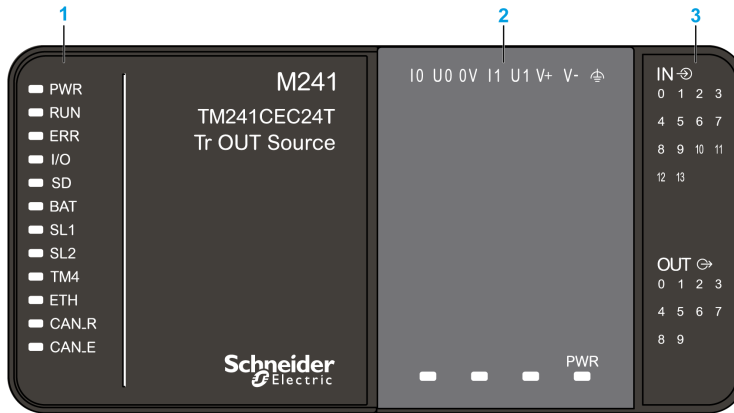
The following figure shows the different components of the TM241CEC24T logic controller:



N°	Description	Refer to
1	Run/Stop switch	Run/Stop (see page 54)
2	SD card slot	SD Card (see page 56)
3	Battery holder	Real Time Clock (RTC) (see page 42)
4	Cartridge slot	–
5	LEDs for indicating I/O states	Digital Inputs Status LEDs (see page 175)
		Transistor Outputs Status LEDs (see page 188)
		Fast Outputs Status LEDs (see page 193)
6	USB mini-B programming port / For terminal connection to a programming PC (SoMachine)	USB Mini-B Programming Port (see page 205)
7	Clip-on lock for 35 mm (1.38 in.) top hat section rail (DIN-rail)	Top Hat Section Rail (see page 74)
8	Embedded regular transistor outputs	Regular Transistor Outputs (see page 187)
	Embedded fast transistor outputs	Fast Transistor Outputs (see page 192)
	Output removable terminal block	Rules for Removable Screw Terminal Block (see page 83)
9	CANopen Line termination switch	CANopen Port (see page 200)
10	24 Vdc power supply	DC Power supply Characteristics and Wiring (see page 87)
11	CANopen port / Screw terminal block type	–
12	Ethernet port / Type RJ45 (RS-232 or RS-485)	Ethernet Port (see page 202)
13	Status LEDs	–
14	TM4 bus connector	TM4 Expansion Modules (see page 25)
15	Serial line port 1 / Type RJ45 (RS-232 or RS-485)	Serial Line 1 (see page 207)
16	Serial line port 2 / Screw terminal block type (RS-485)	Serial Line 2 (see page 211)
17	Embedded digital inputs	Embedded Digital Inputs (see page 174)
	Input removable terminal block	Rules for Removable Screw Terminal Block (see page 83)
18	TM3/TM2 bus connector	TM3 Expansion Modules (see page 26)
19	Protective cover (SD card slot, Run/Stop switch, and USB mini-B programming port)	–
20	Locking hook (Hook not included)	–

Status LEDs

The following figure shows the status LEDs:



- 1 System status LEDs
- 2 Cartridge status LEDs (optional)
- 3 I/Os status LEDs

The following table describes the system status LEDs:

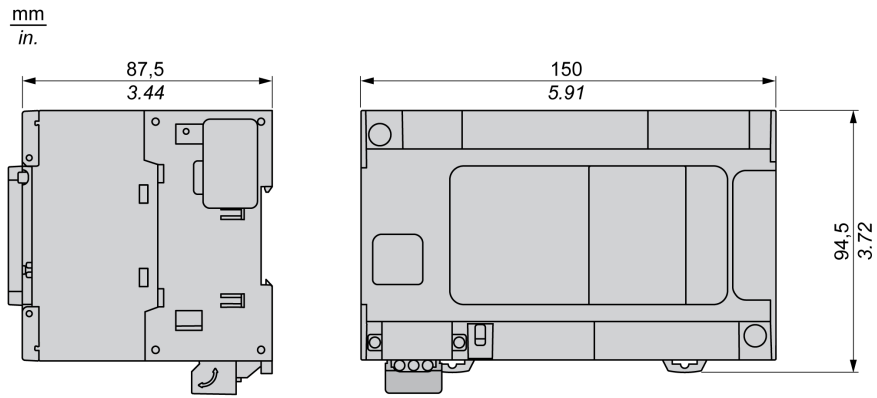
Label	Function Type	Color	Status	Description		
				Controller States ¹	Prg Port Communication	Application Execution
PWR	Power	Green	On	Indicates that power is applied.		
			Off	Indicates that power is removed.		
RUN	Machine status	Green	On	Indicates that the controller is running a valid application.		
			Flashing	Indicates that the controller has a valid application that is stopped.		
			1 flash	Indicates that the controller has paused at BREAKPOINT.		
			Off	Indicates that the controller is not programmed	-	-
ERR	Error	Red	On	EXCEPTION	Restricted	NO
			Flashing	INTERNAL ERROR	Restricted	NO
			1 single flash	Minor error detected	Yes	NO
			3 flashes	No Application	Yes	Yes
I/O	I/O error	Red	On	Indicates device errors on the serial line 1 or 2, SD card, cartridge, TM4 bus, TM3 bus, Ethernet port or CANopen port.		

Label	Function Type	Color	Status	Description		
				Controller States ¹	Prg Port Communication	Application Execution
SD	SD card access	Green	On	Indicates that the SD card is being accessed		
BAT	Battery	Red	On	Indicates that the battery needs to be replaced.		
			Flashing	Indicates that the battery charge is low.		
SL1	Serial line 1	Green	On	Indicates the status of serial line 1 (<i>see page 210</i>)		
			Off	Indicates no serial communication		
SL2	Serial line 2	Green	On	Indicates the status of serial line 2 (<i>see page 212</i>)		
			Off	Indicates no serial communication		
TM4	Error on TM4 bus	Red	On	Indicates that an error has been detected on the TM4 bus		
			Off	Indicates that no error has been detected on the TM4 bus		
ETH	Ethernet port status	Green	On	Indicates that the ethernet port is connected and the IP address is defined.		
			3 flashes	Indicates that the ethernet port is not connected.		
			4 flashes	Indicates that the IP address is already in used.		
			5 flashes	Indicates that the module is waiting for BOOTP or DHCP sequence.		
			6 flashes	Indicates that the configured IP address is not valid.		
CAN R	CANopen running status	Green	On	Indicates that the CANopen bus is operational.		
			Off	Indicates that the CANopen master is configured.		
			Flashing	Indicates that the CANopen bus is being initialized.		
			1 flash per second	Indicates that the CANopen bus is stopped.		
CAN E	CANopen error	Red	On	Indicates that the CANopen bus is stopped (BUS OFF).		
			Off	Indicates no CANopen detected error.		
			Flashing	Indicates that the CANopen bus is not valid.		
			1 flash per second	Indicates that the controller has detected that the maximum number of error frames has been reached or exceeded.		
			2 flashes per second	Indicates that the controller has detected either a Node Guarding or a Heartbeat event.		

¹ For more information about the controller state description, refer to the M241 Logic Controller - Programming Guide.

Dimensions

The following figure shows the external dimensions of the logic controller:



Chapter 10

TM241C24U

TM241C24U Presentation

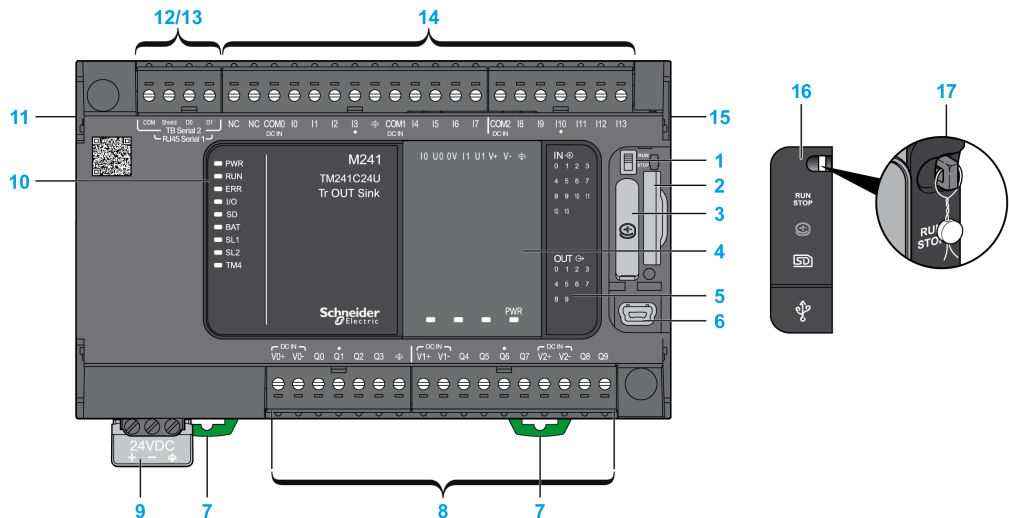
Overview

TM241C24U logic controller:

- 14 digital inputs
 - 8 fast inputs
 - 6 regular inputs
- 10 digital outputs
 - 4 fast outputs
 - 6 regular outputs
- Communication port
 - 2 serial line ports
 - 1 USB mini-B programming port

Description

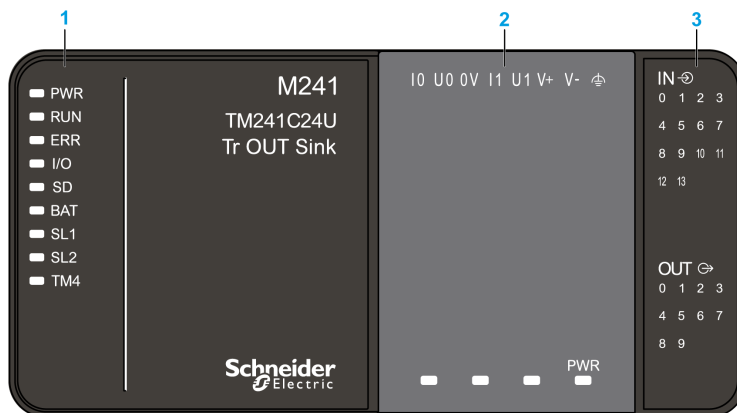
The following figure shows the different components of the TM241C24U logic controller:



N°	Description	Refer to
1	Run/Stop switch	Run/Stop (see page 54)
2	SD card slot	SD Card (see page 56)
3	Battery holder	Real Time Clock (RTC) (see page 42)
4	Cartridge slot	–
5	LEDs for indicating I/O states	Digital Inputs Status LEDs (see page 175)
		Transistor Outputs Status LEDs (see page 188)
		Fast Outputs Status LEDs (see page 193)
6	USB mini-B programming port / For terminal connection to a programming PC (SoMachine)	USB Mini-B Programming Port (see page 205)
7	Clip-on lock for 35 mm (1.38 in.) top hat section rail (DIN-rail)	Top Hat Section Rail (see page 74)
8	Embedded regular transistor outputs	Regular Transistor Outputs (see page 187)
	Embedded fast transistor outputs	Fast Transistor Outputs (see page 192)
	Output removable terminal block	Rules for Removable Screw Terminal Block (see page 83)
9	24 Vdc power supply	DC Power supply Characteristics and Wiring (see page 87)
10	Status LEDs	–
11	TM4 bus connector	TM4 Expansion Modules (see page 25)
12	Serial line port 1 / Type RJ45 (RS-232 or RS-485)	Serial Line 1 (see page 207)
13	Serial line port 2 / Screw terminal block type (RS-485)	Serial Line 2 (see page 211)
14	Embedded digital inputs	Embedded Digital Inputs (see page 174)
	Input removable terminal block	Rules for Removable Screw Terminal Block (see page 83)
15	TM3/TM2 bus connector	TM3 Expansion Modules (see page 26)
16	Protective cover (SD card slot, Run/Stop switch, and USB mini-B programming port)	–
17	Locking hook (Hook not included)	–

Status LEDs

The following figure shows the status LEDs:



- 1 System status LEDs
- 2 Cartridge status LEDs (optional)
- 3 I/Os status LEDs

The following table describes the system status LEDs:

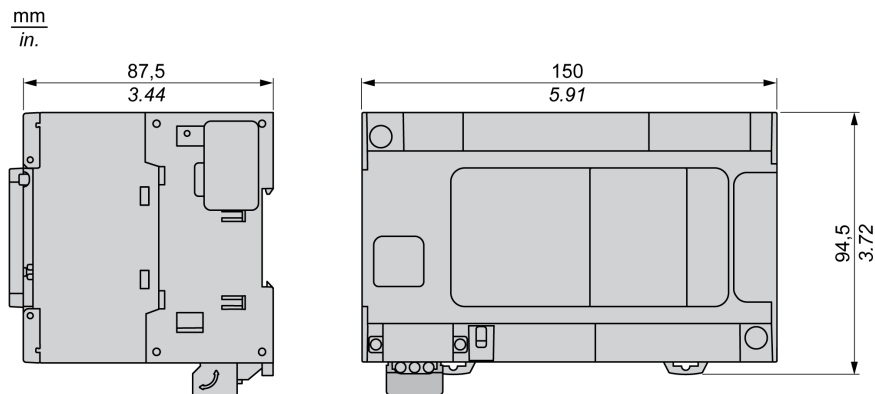
Label	Function Type	Color	Status	Description		
				Controller States ¹	Prg Port Communication	Application Execution
PWR	Power	Green	On	Indicates that power is applied.		
			Off	Indicates that power is removed.		
RUN	Machine status	Green	On	Indicates that the controller is running a valid application.		
			Flashing	Indicates that the controller has a valid application that is stopped.		
			1 flash	Indicates that the controller has paused at BREAKPOINT.		
			Off	Indicates that the controller is not programmed	-	-
ERR	Error	Red	On	EXCEPTION	Restricted	NO
			Flashing	INTERNAL ERROR	Restricted	NO
			1 single flash	Minor error detected	Yes	NO
			3 flashes	No Application	Yes	Yes
I/O	I/O error	Red	On	Indicates device errors on the serial line 1 or 2, SD card, cartridge, TM4 bus, TM3 bus.		
SD	SD card access	Green	On	Indicates that the SD card is being accessed		

Label	Function Type	Color	Status	Description		
				Controller States ¹	Prg Port Communication	Application Execution
BAT	Battery	Red	On	Indicates that the battery needs to be replaced.		
			Flashing	Indicates that the battery charge is low.		
SL1	Serial line 1	Green	On	Indicates the status of serial line 1 (<i>see page 210</i>)		
			Off	Indicates no serial communication		
SL2	Serial line 2	Green	On	Indicates the status of serial line 2 (<i>see page 212</i>)		
			Off	Indicates no serial communication		
TM4	Error on TM4 bus	Red	On	Indicates that an error has been detected on the TM4 bus		
			Off	Indicates that no error has been detected on the TM4 bus		

¹ For more information about the controller state description, refer to the M241 Logic Controller - Programming Guide.

Dimensions

The following figure shows the external dimensions of the logic controller:



Chapter 11

TM241CE24U

TM241CE24U Presentation

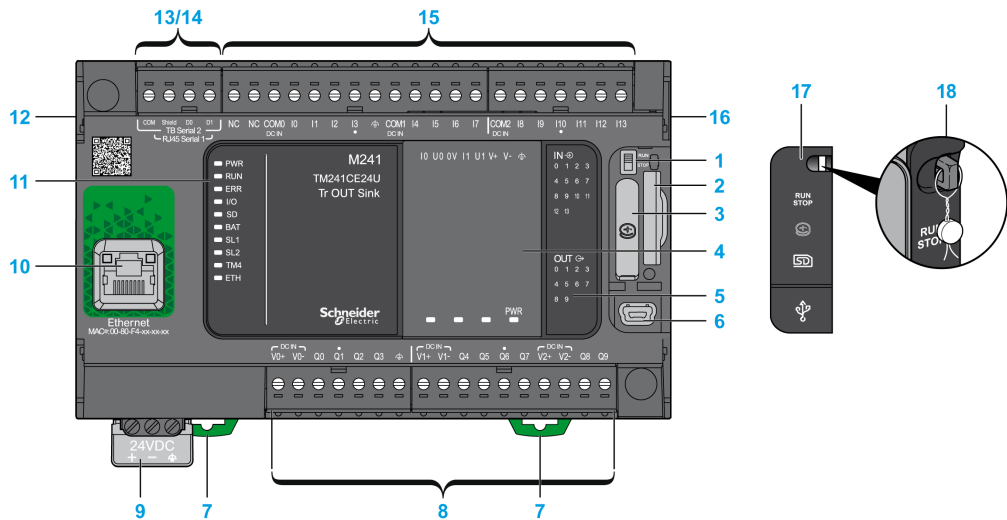
Overview

TM241CE24U logic controller:

- 14 digital inputs
 - 8 fast inputs
 - 6 regular inputs
- 10 digital outputs
 - 4 fast outputs
 - 6 regular outputs
- Communication port
 - 2 serial line ports
 - 1 Ethernet port
 - 1 USB mini-B programming port

Description

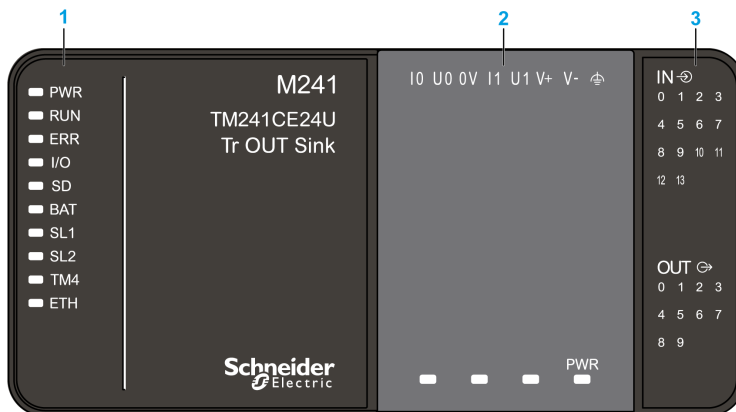
The following figure shows the different components of the TM241CE24U logic controller:



N°	Description	Refer to
1	Run/Stop switch	Run/Stop (see page 54)
2	SD card slot	SD Card (see page 56)
3	Battery holder	Real Time Clock (RTC) (see page 42)
4	Cartridge slot	–
5	LEDs for indicating I/O states	Digital Inputs Status LEDs (see page 175)
		Transistor Outputs Status LEDs (see page 188)
		Fast Outputs Status LEDs (see page 193)
6	USB mini-B programming port / For terminal connection to a programming PC (SoMachine)	USB Mini-B Programming Port (see page 205)
7	Clip-on lock for 35 mm (1.38 in.) top hat section rail (DIN-rail)	Top Hat Section Rail (see page 74)
8	Embedded regular transistor outputs	Regular Transistor Outputs (see page 187)
	Embedded fast transistor outputs	Fast Transistor Outputs (see page 192)
	Output removable terminal block	Rules for Removable Screw Terminal Block (see page 83)
9	24 Vdc power supply	DC Power supply Characteristics and Wiring (see page 87)
10	Ethernet port / Type RJ45 (RS-232 or RS-485)	Ethernet Port (see page 202)
11	Status LEDs	–
12	TM4 bus connector	TM4 Expansion Modules (see page 25)
13	Serial line port 1 / Type RJ45 (RS-232 or RS-485)	Serial Line 1 (see page 207)
14	Serial line port 2 / Screw terminal block type (RS-485)	Serial Line 2 (see page 211)
15	Embedded digital inputs	Embedded Digital Inputs (see page 174)
	Input removable terminal block	Rules for Removable Screw Terminal Block (see page 83)
16	TM3/TM2 bus connector	TM3 Expansion Modules (see page 26)
17	Protective cover (SD card slot, Run/Stop switch, and USB mini-B programming port)	–
18	Locking hook (Hook not included)	–

Status LEDs

The following figure shows the status LEDs:



- 1 System status LEDs
- 2 Cartridge status LEDs (optional)
- 3 I/Os status LEDs

The following table describes the system status LEDs:

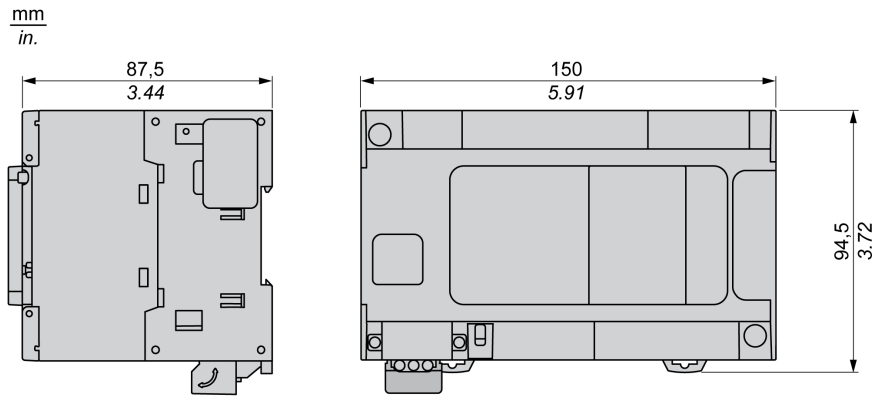
Label	Function Type	Color	Status	Description		
				Controller States ¹	Prg Port Communication	Application Execution
PWR	Power	Green	On	Indicates that power is applied.		
			Off	Indicates that power is removed.		
RUN	Machine status	Green	On	Indicates that the controller is running a valid application.		
			Flashing	Indicates that the controller has a valid application that is stopped.		
			1 flash	Indicates that the controller has paused at BREAKPOINT.		
			Off	Indicates that the controller is not programmed	-	-
ERR	Error	Red	On	EXCEPTION	Restricted	NO
			Flashing	INTERNAL ERROR	Restricted	NO
			1 single flash	Minor error detected	Yes	NO
			3 flashes	No Application	Yes	Yes
I/O	I/O error	Red	On	Indicates device errors on the serial line 1 or 2, SD card, cartridge, TM4 bus, TM3 bus, Ethernet port or CANopen port.		

Label	Function Type	Color	Status	Description		
				Controller States ¹	Prg Port Communication	Application Execution
SD	SD card access	Green	On	Indicates that the SD card is being accessed		
BAT	Battery	Red	On	Indicates that the battery needs to be replaced.		
			Flashing	Indicates that the battery charge is low.		
SL1	Serial line 1	Green	On	Indicates the status of serial line 1 (<i>see page 210</i>)		
			Off	Indicates no serial communication		
SL2	Serial line 2	Green	On	Indicates the status of serial line 2 (<i>see page 212</i>)		
			Off	Indicates no serial communication		
TM4	Error on TM4 bus	Red	On	Indicates that an error has been detected on the TM4 bus		
			Off	Indicates that no error has been detected on the TM4 bus		
ETH	Ethernet port status	Green	On	Indicates that the ethernet port is connected and the IP address is defined.		
			3 flashes	Indicates that the ethernet port is not connected.		
			4 flashes	Indicates that the IP address is already in used.		
			5 flashes	Indicates that the module is waiting for BOOTP or DHCP sequence.		
			6 flashes	Indicates that the configured IP address is not valid.		
CAN R	CANopen running status	Green	On	Indicates that the CANopen bus is operational.		
			Off	Indicates that the CANopen master is configured.		
			Flashing	Indicates that the CANopen bus is being initialized.		
			1 flash per second	Indicates that the CANopen bus is stopped.		
CAN E	CANopen error	Red	On	Indicates that the CANopen bus is stopped (BUS OFF).		
			Off	Indicates no CANopen detected error.		
			Flashing	Indicates that the CANopen bus is not valid.		
			1 flash per second	Indicates that the controller has detected that the maximum number of error frames has been reached or exceeded.		
			2 flashes per second	Indicates that the controller has detected either a Node Guarding or a Heartbeat event.		

¹ For more information about the controller state description, refer to the M241 Logic Controller - Programming Guide.

Dimensions

The following figure shows the external dimensions of the logic controller:



Chapter 12

TM241CEC24U

TM241CEC24U Presentation

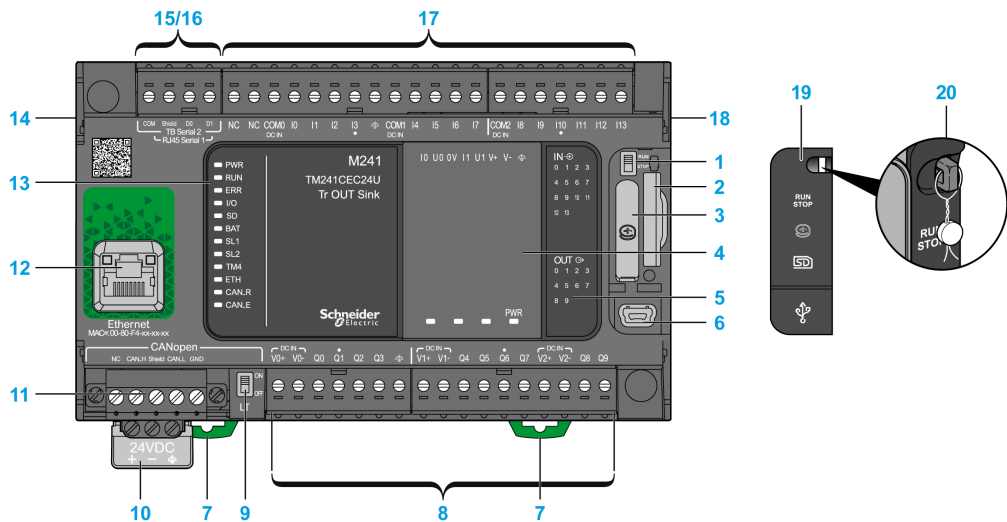
Overview

TM241CEC24U logic controller:

- 14 digital inputs
 - 8 fast inputs
 - 6 regular inputs
- 10 digital outputs
 - 4 fast outputs
 - 6 regular outputs
- Communication port
 - 2 serial line ports
 - 1 Ethernet port
 - 1 CANopen port
 - 1 USB mini-B programming port

Description

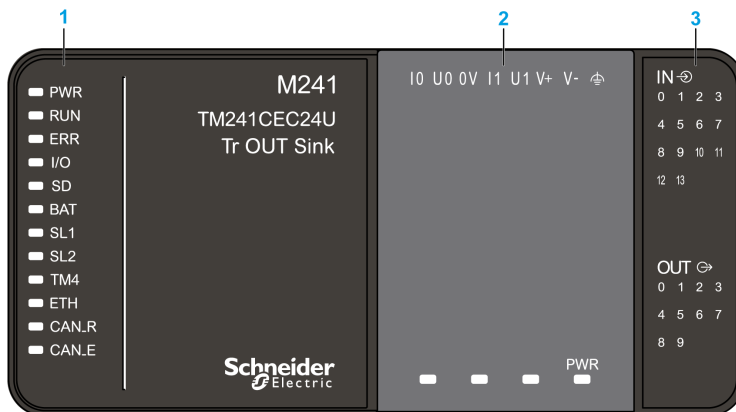
The following figure shows the different components of the TM241CEC24U logic controller:



N°	Description	Refer to
1	Run/Stop switch	Run/Stop (see page 54)
2	SD card slot	SD Card (see page 56)
3	Battery holder	Real Time Clock (RTC) (see page 42)
4	Cartridge slot	–
5	LEDs for indicating I/O states	Digital Inputs Status LEDs (see page 175)
		Transistor Outputs Status LEDs (see page 188)
		Fast Outputs Status LEDs (see page 193)
6	USB mini-B programming port / For terminal connection to a programming PC (SoMachine)	USB Mini-B Programming Port (see page 205)
7	Clip-on lock for 35 mm (1.38 in.) top hat section rail (DIN-rail)	Top Hat Section Rail (see page 74)
8	Embedded regular transistor outputs	Regular Transistor Outputs (see page 187)
	Embedded fast transistor outputs	Fast Transistor Outputs (see page 192)
	Output removable terminal block	Rules for Removable Screw Terminal Block (see page 83)
9	CANopen Line termination switch	CANopen Port (see page 200)
10	24 Vdc power supply	DC Power supply Characteristics and Wiring (see page 87)
11	CANopen port / Screw terminal block type	–
12	Ethernet port / Type RJ45 (RS-232 or RS-485)	Ethernet Port (see page 202)
13	Status LEDs	–
14	TM4 bus connector	TM4 Expansion Modules (see page 25)
15	Serial line port 1 / Type RJ45 (RS-232 or RS-485)	Serial Line 1 (see page 207)
16	Serial line port 2 / Screw terminal block type (RS-485)	Serial Line 2 (see page 211)
17	Embedded digital inputs	Embedded Digital Inputs (see page 174)
	Input removable terminal block	Rules for Removable Screw Terminal Block (see page 83)
18	TM3/TM2 bus connector	TM3 Expansion Modules (see page 26)
19	Protective cover (SD card slot, Run/Stop switch, and USB mini-B programming port)	–
20	Locking hook (Hook not included)	–

Status LEDs

The following figure shows the status LEDs:



- 1 System status LEDs
- 2 Cartridge status LEDs (optional)
- 3 I/Os status LEDs

The following table describes the system status LEDs:

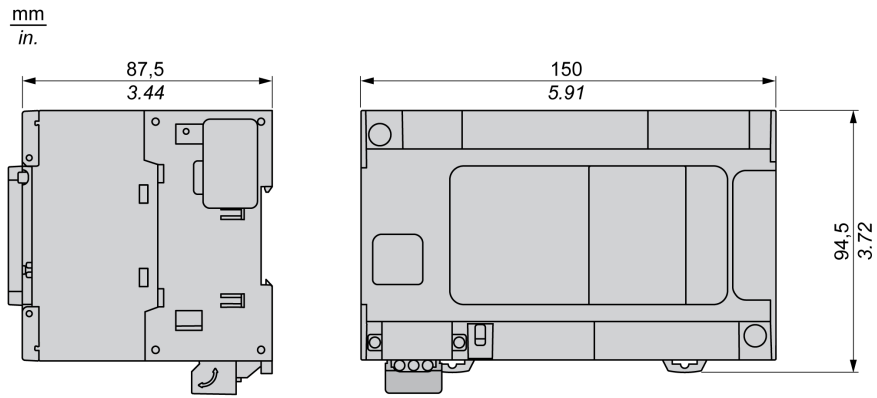
Label	Function Type	Color	Status	Description		
				Controller States ¹	Prg Port Communication	Application Execution
PWR	Power	Green	On	Indicates that power is applied.		
			Off	Indicates that power is removed.		
RUN	Machine status	Green	On	Indicates that the controller is running a valid application.		
			Flashing	Indicates that the controller has a valid application that is stopped.		
			1 flash	Indicates that the controller has paused at BREAKPOINT.		
			Off	Indicates that the controller is not programmed	-	-
ERR	Error	Red	On	EXCEPTION	Restricted	NO
			Flashing	INTERNAL ERROR	Restricted	NO
			1 single flash	Minor error detected	Yes	NO
			3 flashes	No Application	Yes	Yes
I/O	I/O error	Red	On	Indicates device errors on the serial line 1 or 2, SD card, cartridge, TM4 bus, TM3 bus, Ethernet port or CANopen port.		

Label	Function Type	Color	Status	Description		
				Controller States ¹	Prg Port Communication	Application Execution
SD	SD card access	Green	On	Indicates that the SD card is being accessed		
BAT	Battery	Red	On	Indicates that the battery needs to be replaced.		
			Flashing	Indicates that the battery charge is low.		
SL1	Serial line 1	Green	On	Indicates the status of serial line 1 (<i>see page 210</i>)		
			Off	Indicates no serial communication		
SL2	Serial line 2	Green	On	Indicates the status of serial line 2 (<i>see page 212</i>)		
			Off	Indicates no serial communication		
TM4	Error on TM4 bus	Red	On	Indicates that an error has been detected on the TM4 bus		
			Off	Indicates that no error has been detected on the TM4 bus		
ETH	Ethernet port status	Green	On	Indicates that the ethernet port is connected and the IP address is defined.		
			3 flashes	Indicates that the ethernet port is not connected.		
			4 flashes	Indicates that the IP address is already in used.		
			5 flashes	Indicates that the module is waiting for BOOTP or DHCP sequence.		
			6 flashes	Indicates that the configured IP address is not valid.		
CAN R	CANopen running status	Green	On	Indicates that the CANopen bus is operational.		
			Off	Indicates that the CANopen master is configured.		
			Flashing	Indicates that the CANopen bus is being initialized.		
			1 flash per second	Indicates that the CANopen bus is stopped.		
CAN E	CANopen error	Red	On	Indicates that the CANopen bus is stopped (BUS OFF).		
			Off	Indicates no CANopen detected error.		
			Flashing	Indicates that the CANopen bus is not valid.		
			1 flash per second	Indicates that the controller has detected that the maximum number of error frames has been reached or exceeded.		
			2 flashes per second	Indicates that the controller has detected either a Node Guarding or a Heartbeat event.		

¹ For more information about the controller state description, refer to the M241 Logic Controller - Programming Guide.

Dimensions

The following figure shows the external dimensions of the logic controller:



Chapter 13

TM241C40R

TM241C40R Presentation

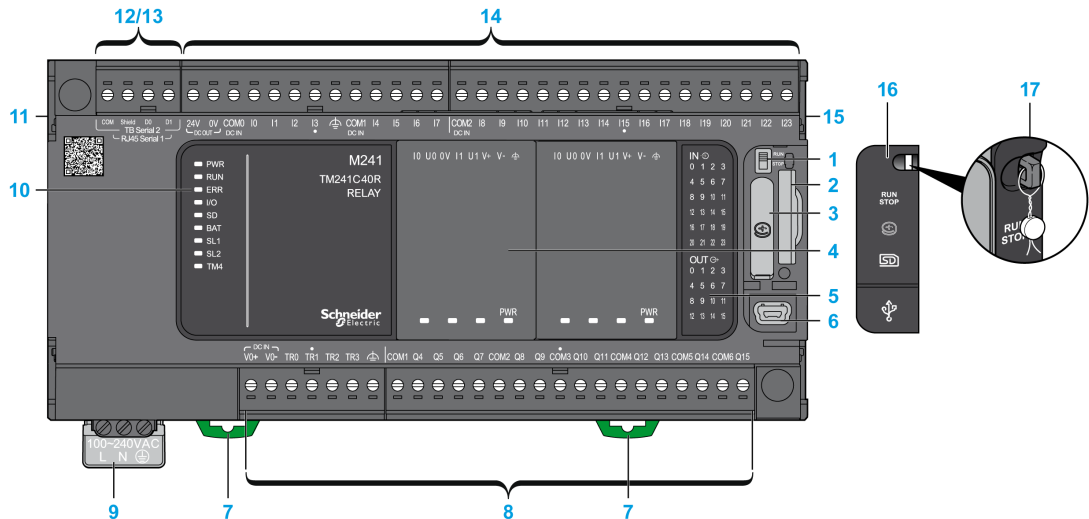
Overview

TM241C40R logic controller:

- 24 digital inputs
 - 8 fast inputs
 - 16 regular inputs
- 16 digital outputs
 - 4 fast outputs
 - 12 relay outputs (2 A)
- Communication port
 - 2 serial line ports
 - 1 USB mini-B programming port

Description

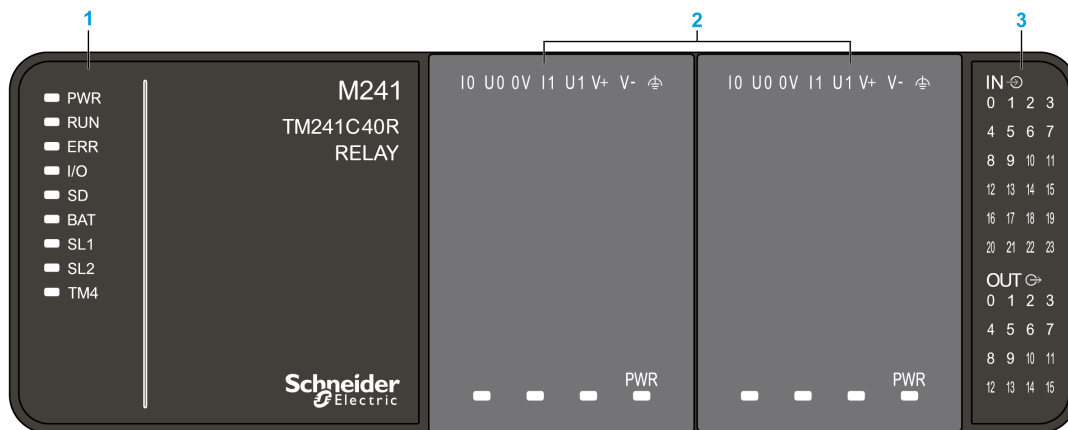
The following figure shows the different components of the TM241C40R logic controller:



N°	Description	Refer to
1	Run/Stop switch	Run/Stop (see page 54)
2	SD card slot	SD Card (see page 56)
3	Battery holder	Real Time Clock (RTC) (see page 42)
4	Cartridge slot	–
5	LEDs for indicating I/O states	Digital Inputs Status LEDs (see page 175)
		Relay Outputs Status LEDs (see page 182)
		Fast Outputs Status LEDs (see page 193)
6	USB mini-B programming port / For terminal connection to a programming PC (SoMachine)	USB Mini-B Programming Port (see page 205)
7	Clip-on lock for 35 mm (1.38 in.) top hat section rail (DIN-rail)	Top Hat Section Rail (see page 74)
8	Embedded relay outputs	Relay Outputs (see page 181)
	Embedded fast transistor outputs	Fast Transistor Outputs (see page 192)
	Output removable terminal block	Rules for Removable Screw Terminal Block (see page 83)
9	100...240 Vac 50/60 Hz power supply	AC Power Supply Characteristics and Wiring (see page 91)
10	Status LEDs	–
11	TM4 bus connector	TM4 Expansion Modules (see page 25)
12	Serial line port 1 / Type RJ45 (RS-232 or RS-485)	Serial Line 1 (see page 207)
13	Serial line port 2 / Screw terminal block type (RS-485)	Serial Line 2 (see page 211)
14	Embedded digital inputs	Embedded Digital Inputs (see page 174)
	Input removable terminal block	Rules for Removable Screw Terminal Block (see page 83)
15	TM3/TM2 bus connector	TM3 Expansion Modules (see page 26)
16	Protective cover (SD card slot, Run/Stop switch, and USB mini-B programming port)	–
17	Locking hook (Hook not included)	–

Status LEDs

The following figure shows the status LEDs:



- 1 System status LEDs
- 2 Cartridge status LEDs (optional)
- 3 I/Os status LEDs

The following table describes the system status LEDs:

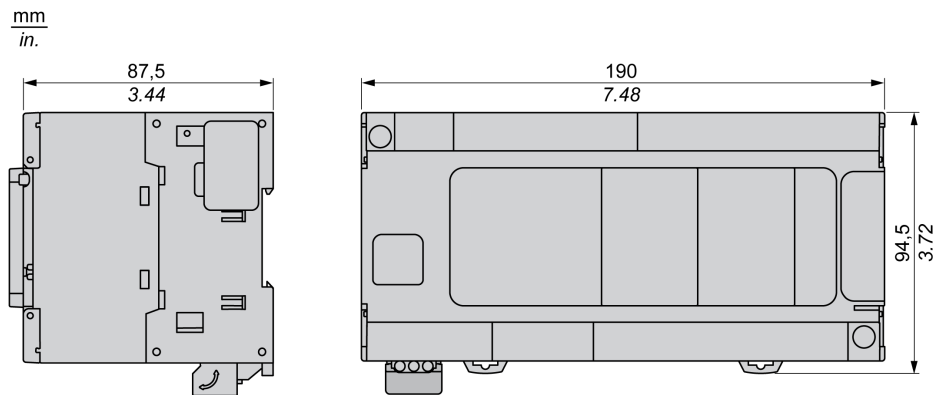
Label	Function Type	Color	Status	Description		
				Controller States ¹	Prg Port Communication	Application Execution
PWR	Power	Green	On	Indicates that power is applied.		
			Off	Indicates that power is removed.		
RUN	Machine status	Green	On	Indicates that the controller is running a valid application.		
			Flashing	Indicates that the controller has a valid application that is stopped.		
			1 flash	Indicates that the controller has paused at BREAKPOINT.		
			Off	Indicates that the controller is not programmed	-	-
ERR	Error	Red	On	EXCEPTION	Restricted	NO
			Flashing	INTERNAL ERROR	Restricted	NO
			1 single flash	Minor error detected	Yes	NO
			3 flashes	No Application	Yes	Yes
I/O	I/O error	Red	On	Indicates device errors on the serial line 1 or 2, SD card, cartridge, TM4 bus, TM3 bus.		

Label	Function Type	Color	Status	Description		
				Controller States ¹	Prg Port Communication	Application Execution
SD	SD card access	Green	On	Indicates that the SD card is being accessed		
BAT	Battery	Red	On	Indicates that the battery needs to be replaced.		
			Flashing	Indicates that the battery charge is low.		
SL1	Serial line 1	Green	On	Indicates the status of serial line 1 (<i>see page 210</i>)		
			Off	Indicates no serial communication		
SL2	Serial line 2	Green	On	Indicates the status of serial line 2 (<i>see page 212</i>)		
			Off	Indicates no serial communication		
TM4	Error on TM4 bus	Red	On	Indicates that an error has been detected on the TM4 bus		
			Off	Indicates that no error has been detected on the TM4 bus		

¹ For more information about the controller state description, refer to the M241 Logic Controller - Programming Guide.

Dimensions

The following figure shows the external dimensions of the logic controller:



Chapter 14

TM241CE40R

TM241CE40R Presentation

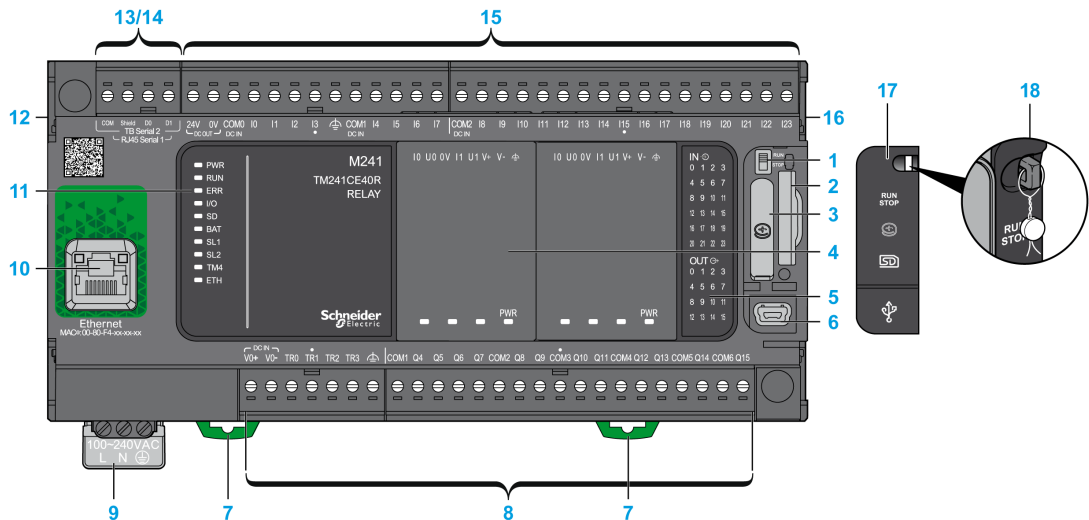
Overview

TM241CE40R logic controller:

- 24 digital inputs
 - 8 fast inputs
 - 16 regular inputs
- 16 digital outputs
 - 4 fast outputs
 - 12 relay outputs (2 A)
- Communication port
 - 2 serial line ports
 - 1 Ethernet port
 - 1 USB mini-B programming port

Description

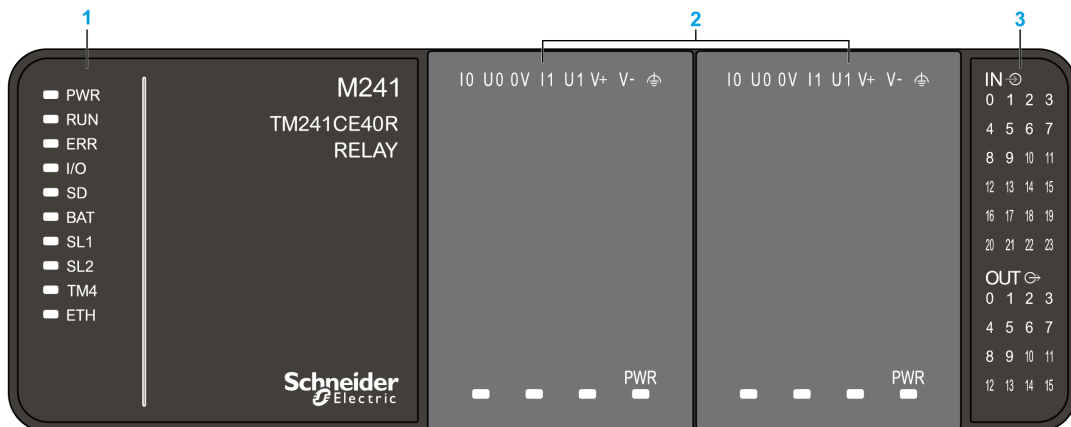
The following figure shows the different components of the TM241CE40R logic controller:



N°	Description	Refer to
1	Run/Stop switch	Run/Stop (see page 54)
2	SD card slot	SD Card (see page 56)
3	Battery holder	Real Time Clock (RTC) (see page 42)
4	Cartridge slot	–
5	LEDs for indicating I/O states	Digital Inputs Status LEDs (see page 175)
		Relay Outputs Status LEDs (see page 182)
		Fast Outputs Status LEDs (see page 193)
6	USB mini-B programming port / For terminal connection to a programming PC (SoMachine)	USB Mini-B Programming Port (see page 205)
7	Clip-on lock for 35 mm (1.38 in.) top hat section rail (DIN-rail)	Top Hat Section Rail (see page 74)
8	Embedded relay outputs	Relay Outputs (see page 181)
	Embedded fast transistor outputs	Fast Transistor Outputs (see page 192)
	Output removable terminal block	Rules for Removable Screw Terminal Block (see page 83)
9	100...240 Vac 50/60 Hz power supply	AC Power Supply Characteristics and Wiring (see page 91)
10	Ethernet port / Type RJ45 (RS-232 or RS-485)	Ethernet Port (see page 202)
11	Status LEDs	–
12	TM4 bus connector	TM4 Expansion Modules (see page 25)
13	Serial line port 1 / Type RJ45 (RS-232 or RS-485)	Serial Line 1 (see page 207)
14	Serial line port 2 / Screw terminal block type (RS-485)	Serial Line 2 (see page 211)
15	Embedded digital inputs	Embedded Digital Inputs (see page 174)
	Input removable terminal block	Rules for Removable Screw Terminal Block (see page 83)
16	TM3/TM2 bus connector	TM3 Expansion Modules (see page 26)
17	Protective cover (SD card slot, Run/Stop switch, and USB mini-B programming port)	–
18	Locking hook (Hook not included)	–

Status LEDs

The following figure shows the status LEDs:



- 1 System status LEDs
- 2 Cartridge status LEDs (optional)
- 3 I/Os status LEDs

The following table describes the system status LEDs:

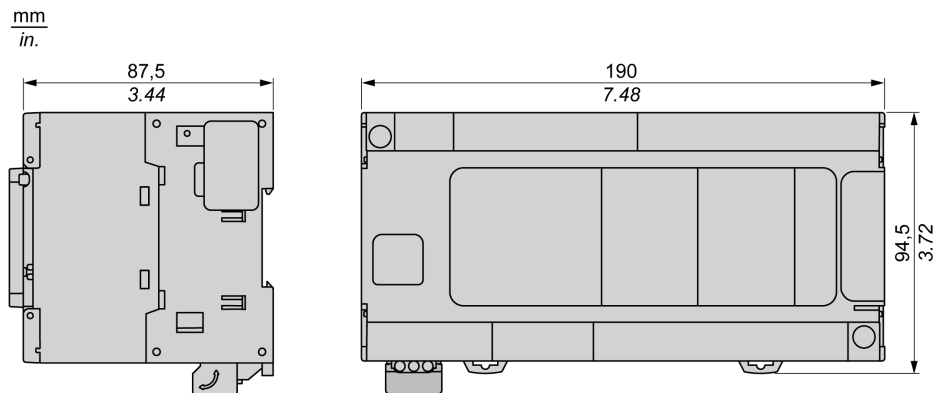
Label	Function Type	Color	Status	Description		
				Controller States ¹	Prg Port Communication	Application Execution
PWR	Power	Green	On	Indicates that power is applied.		
			Off	Indicates that power is removed.		
RUN	Machine status	Green	On	Indicates that the controller is running a valid application.		
			Flashing	Indicates that the controller has a valid application that is stopped.		
			1 flash	Indicates that the controller has paused at BREAKPOINT.		
			Off	Indicates that the controller is not programmed	-	-
ERR	Error	Red	On	EXCEPTION	Restricted	NO
			Flashing	INTERNAL ERROR	Restricted	NO
			1 single flash	Minor error detected	Yes	NO
			3 flashes	No Application	Yes	Yes
I/O	I/O error	Red	On	Indicates device errors on the serial line 1 or 2, SD card, cartridge, TM4 bus, TM3 bus or Ethernet port.		

Label	Function Type	Color	Status	Description		
				Controller States ¹	Prg Port Communication	Application Execution
SD	SD card access	Green	On	Indicates that the SD card is being accessed		
BAT	Battery	Red	On	Indicates that the battery needs to be replaced.		
			Flashing	Indicates that the battery charge is low.		
SL1	Serial line 1	Green	On	Indicates the status of serial line 1 (<i>see page 210</i>)		
			Off	Indicates no serial communication		
SL2	Serial line 2	Green	On	Indicates the status of serial line 2 (<i>see page 212</i>)		
			Off	Indicates no serial communication		
TM4	Error on TM4 bus	Red	On	Indicates that an error has been detected on the TM4 bus		
			Off	Indicates that no error has been detected on the TM4 bus		
ETH	Ethernet port status	Green	On	Indicates that the ethernet port is connected and the IP address is defined.		
			3 flashes	Indicates that the ethernet port is not connected.		
			4 flashes	Indicates that the IP address is already in used.		
			5 flashes	Indicates that the module is waiting for BOOTP or DHCP sequence.		
			6 flashes	Indicates that the configured IP address is not valid.		

¹ For more information about the controller state description, refer to the M241 Logic Controller - Programming Guide.

Dimensions

The following figure shows the external dimensions of the logic controller:



Chapter 15

TM241C40T

TM241C40T Presentation

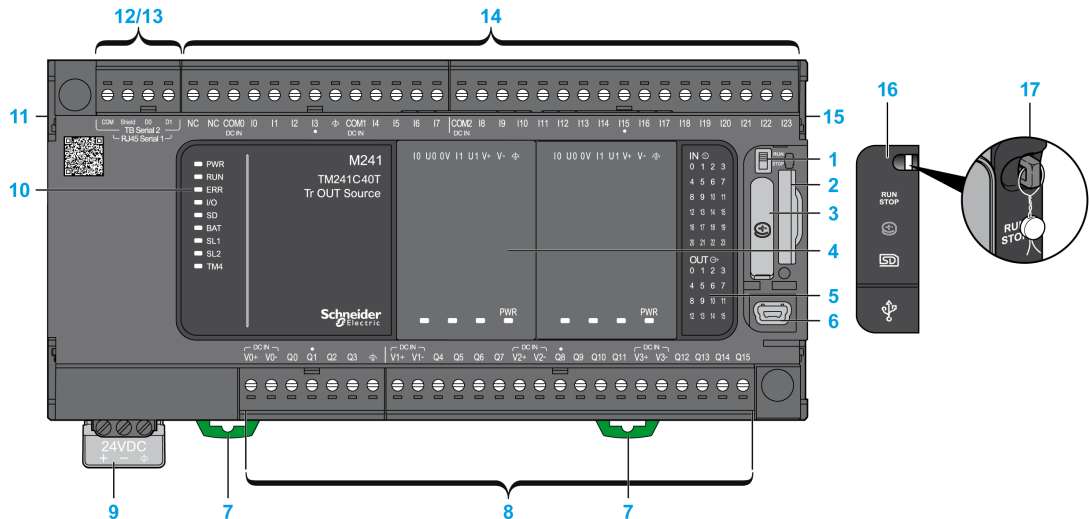
Overview

TM241C40T logic controller:

- 24 digital inputs
 - 8 fast inputs
 - 16 regular inputs
- 16 digital outputs
 - 4 fast outputs
 - 12 regular outputs
- Communication port
 - 2 serial line ports
 - 1 USB mini-B programming port

Description

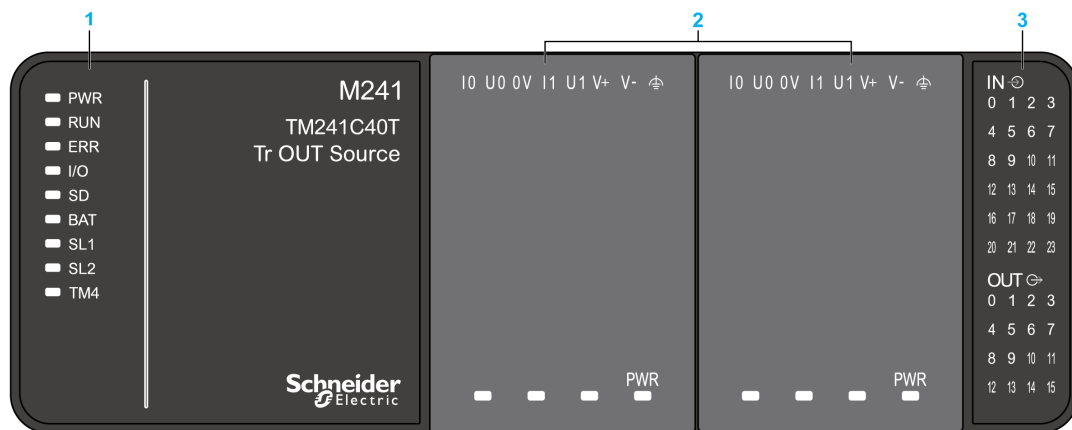
The following figure shows the different components of the TM241C40T logic controller:



N°	Description	Refer to
1	Run/Stop switch	Run/Stop (see page 54)
2	SD card slot	SD Card (see page 56)
3	Battery holder	Real Time Clock (RTC) (see page 42)
4	Cartridge slot	–
5	LEDs for indicating I/O states	Digital Inputs Status LEDs (see page 175)
		Transistor Outputs Status LEDs (see page 188)
		Fast Outputs Status LEDs (see page 193)
6	USB mini-B programming port / For terminal connection to a programming PC (SoMachine)	USB Mini-B Programming Port (see page 205)
7	Clip-on lock for 35 mm (1.38 in.) top hat section rail (DIN-rail)	Top Hat Section Rail (see page 74)
8	Embedded regular transistor outputs	Regular Transistor Outputs (see page 187)
	Embedded fast transistor outputs	Fast Transistor Outputs (see page 192)
	Output removable terminal block	Rules for Removable Screw Terminal Block (see page 83)
9	24 Vdc power supply	DC Power supply Characteristics and Wiring (see page 87)
10	Status LEDs	–
11	TM4 bus connector	TM4 Expansion Modules (see page 25)
12	Serial line port 1 / Type RJ45 (RS-232 or RS-485)	Serial Line 1 (see page 207)
13	Serial line port 2 / Screw terminal block type (RS-485)	Serial Line 2 (see page 211)
14	Embedded digital inputs	Embedded Digital Inputs (see page 174)
	Input removable terminal block	Rules for Removable Screw Terminal Block (see page 83)
15	TM3/TM2 bus connector	TM3 Expansion Modules (see page 26)
16	Protective cover (SD card slot, Run/Stop switch, and USB mini-B programming port)	–
17	Locking hook (Hook not included)	–

Status LEDs

The following figure shows the status LEDs:



- 1 System status LEDs
- 2 Cartridge status LEDs (optional)
- 3 I/Os status LEDs

The following table describes the system status LEDs:

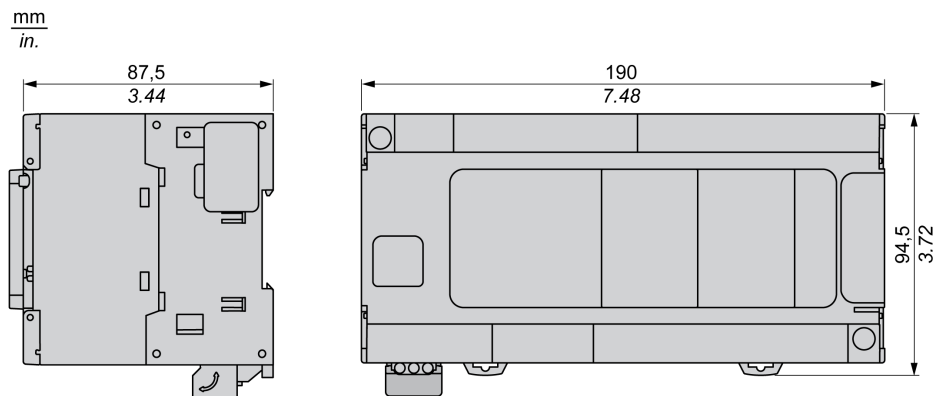
Label	Function Type	Color	Status	Description		
				Controller States ¹	Prg Port Communication	Application Execution
PWR	Power	Green	On	Indicates that power is applied.		
			Off	Indicates that power is removed.		
RUN	Machine status	Green	On	Indicates that the controller is running a valid application.		
			Flashing	Indicates that the controller has a valid application that is stopped.		
			1 flash	Indicates that the controller has paused at BREAKPOINT.		
			Off	Indicates that the controller is not programmed	-	-
ERR	Error	Red	On	EXCEPTION	Restricted	NO
			Flashing	INTERNAL ERROR	Restricted	NO
			1 single flash	Minor error detected	Yes	NO
			3 flashes	No Application	Yes	Yes

Label	Function Type	Color	Status	Description		
				Controller States ¹	Prg Port Communication	Application Execution
I/O	I/O error	Red	On	Indicates device errors on the serial line 1 or 2, SD card, cartridge, TM4 bus, TM3 bus.		
SD	SD card access	Green	On	Indicates that the SD card is being accessed		
BAT	Battery	Red	On	Indicates that the battery needs to be replaced.		
			Flashing	Indicates that the battery charge is low.		
SL1	Serial line 1	Green	On	Indicates the status of serial line 1 (<i>see page 210</i>)		
			Off	Indicates no serial communication		
SL2	Serial line 2	Green	On	Indicates the status of serial line 2 (<i>see page 212</i>)		
			Off	Indicates no serial communication		
TM4	Error on TM4 bus	Red	On	Indicates that an error has been detected on the TM4 bus		
			Off	Indicates that no error has been detected on the TM4 bus		

¹ For more information about the controller state description, refer to the M241 Logic Controller - Programming Guide.

Dimensions

The following figure shows the external dimensions of the logic controller:



Chapter 16

TM241CE40T

TM241CE40T Presentation

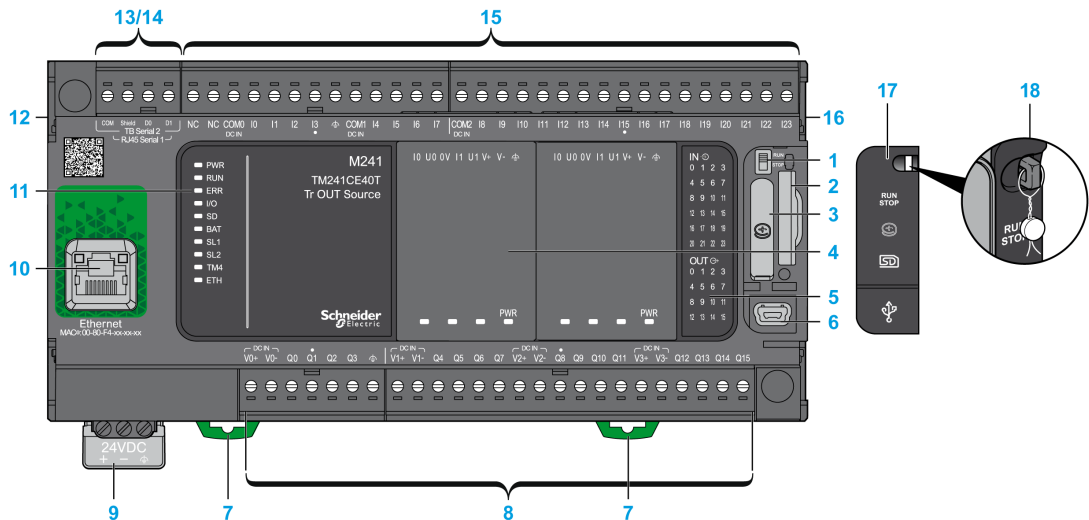
Overview

TM241CE40T logic controller:

- 24 digital inputs
 - 8 fast inputs
 - 16 regular inputs
- 16 digital outputs
 - 4 fast outputs
 - 12 regular outputs
- Communication port
 - 2 serial line ports
 - 1 Ethernet port
 - 1 USB mini-B programming port

Description

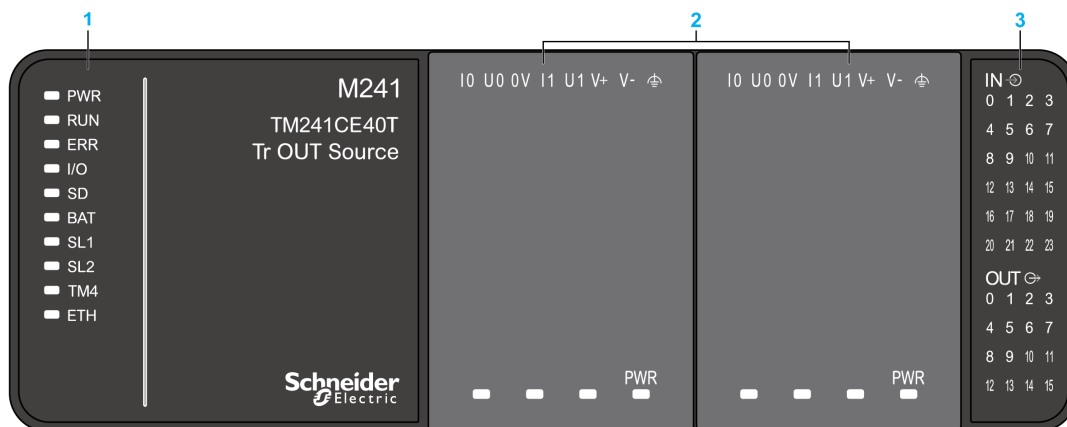
The following figure shows the different components of the TM241CE40T logic controller:



N°	Description	Refer to
1	Run/Stop switch	Run/Stop (see page 54)
2	SD card slot	SD Card (see page 56)
3	Battery holder	Real Time Clock (RTC) (see page 42)
4	Cartridge slot	–
5	LEDs for indicating I/O states	Digital Inputs Status LEDs (see page 175)
		Transistor Outputs Status LEDs (see page 188)
		Fast Outputs Status LEDs (see page 193)
6	USB mini-B programming port / For terminal connection to a programming PC (SoMachine)	USB Mini-B Programming Port (see page 205)
7	Clip-on lock for 35 mm (1.38 in.) top hat section rail (DIN-rail)	Top Hat Section Rail (see page 74)
8	Embedded regular transistor outputs	Regular Transistor Outputs (see page 187)
	Embedded fast transistor outputs	Fast Transistor Outputs (see page 192)
	Output removable terminal block	Rules for Removable Screw Terminal Block (see page 83)
9	24 Vdc power supply	DC Power supply Characteristics and Wiring (see page 87)
10	Ethernet port / Type RJ45 (RS-232 or RS-485)	Ethernet Port (see page 202)
11	Status LEDs	–
12	TM4 bus connector	TM4 Expansion Modules (see page 25)
13	Serial line port 1 / Type RJ45 (RS-232 or RS-485)	Serial Line 1 (see page 207)
14	Serial line port 2 / Screw terminal block type (RS-485)	Serial Line 2 (see page 211)
15	Embedded digital inputs	Embedded Digital Inputs (see page 174)
	Input removable terminal block	Rules for Removable Screw Terminal Block (see page 83)
16	TM3/TM2 bus connector	TM3 Expansion Modules (see page 26)
17	Protective cover (SD card slot, Run/Stop switch, and USB mini-B programming port)	–
18	Locking hook (Hook not included)	–

Status LEDs

The following figure shows the status LEDs:



- 1 System status LEDs
- 2 Cartridge status LEDs (optional)
- 3 I/Os status LEDs

The following table describes the system status LEDs:

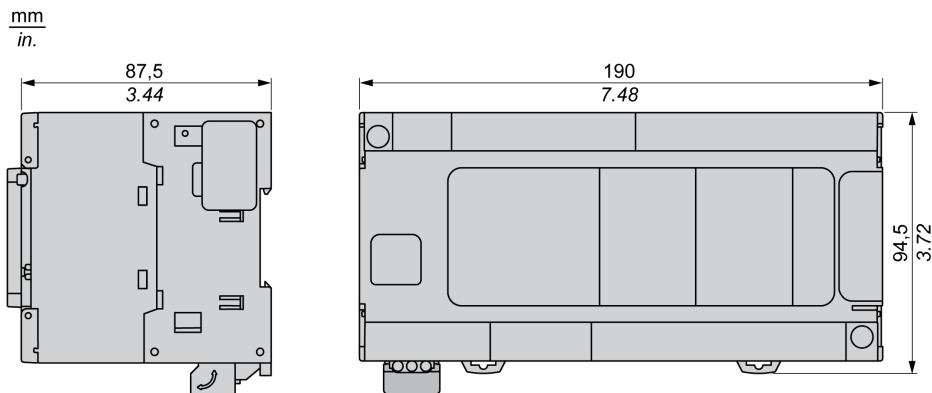
Label	Function Type	Color	Status	Description		
				Controller States ¹	Prg Port Communication	Application Execution
PWR	Power	Green	On	Indicates that power is applied.		
			Off	Indicates that power is removed.		
RUN	Machine status	Green	On	Indicates that the controller is running a valid application.		
			Flashing	Indicates that the controller has a valid application that is stopped.		
			1 flash	Indicates that the controller has paused at BREAKPOINT.		
			Off	Indicates that the controller is not programmed	-	-
ERR	Error	Red	On	EXCEPTION	Restricted	NO
			Flashing	INTERNAL ERROR	Restricted	NO
			1 single flash	Minor error detected	Yes	NO
			3 flashes	No Application	Yes	Yes
I/O	I/O error	Red	On	Indicates device errors on the serial line 1 or 2, SD card, cartridge, TM4 bus, TM3 bus or Ethernet port.		

Label	Function Type	Color	Status	Description		
				Controller States ¹	Prg Port Communication	Application Execution
SD	SD card access	Green	On	Indicates that the SD card is being accessed		
BAT	Battery	Red	On	Indicates that the battery needs to be replaced.		
			Flashing	Indicates that the battery charge is low.		
SL1	Serial line 1	Green	On	Indicates the status of serial line 1 (<i>see page 210</i>)		
			Off	Indicates no serial communication		
SL2	Serial line 2	Green	On	Indicates the status of serial line 2 (<i>see page 212</i>)		
			Off	Indicates no serial communication		
TM4	Error on TM4 bus	Red	On	Indicates that an error has been detected on the TM4 bus		
			Off	Indicates that no error has been detected on the TM4 bus		
ETH	Ethernet port status	Green	On	Indicates that the ethernet port is connected and the IP address is defined.		
			3 flashes	Indicates that the ethernet port is not connected.		
			4 flashes	Indicates that the IP address is already in used.		
			5 flashes	Indicates that the module is waiting for BOOTP or DHCP sequence.		
			6 flashes	Indicates that the configured IP address is not valid.		

¹ For more information about the controller state description, refer to the M241 Logic Controller - Programming Guide.

Dimensions

The following figure shows the external dimensions of the logic controller:



Chapter 17

TM241C40U

TM241C40U Presentation

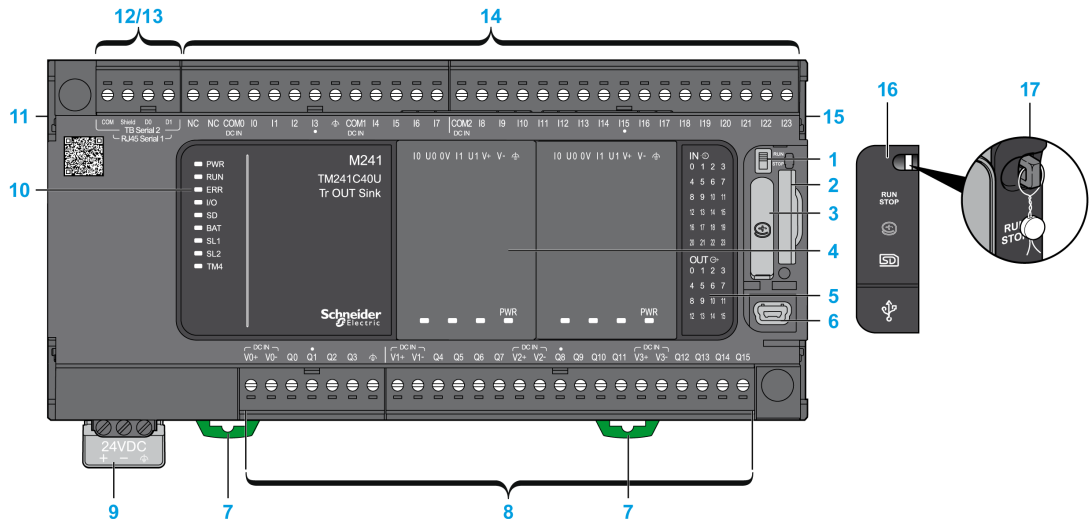
Overview

TM241C24U logic controller:

- 24 digital inputs
 - 8 fast inputs
 - 16 regular inputs
- 16 digital outputs
 - 4 fast outputs
 - 12 regular outputs
- Communication port
 - 2 serial line ports
 - 1 USB mini-B programming port

Description

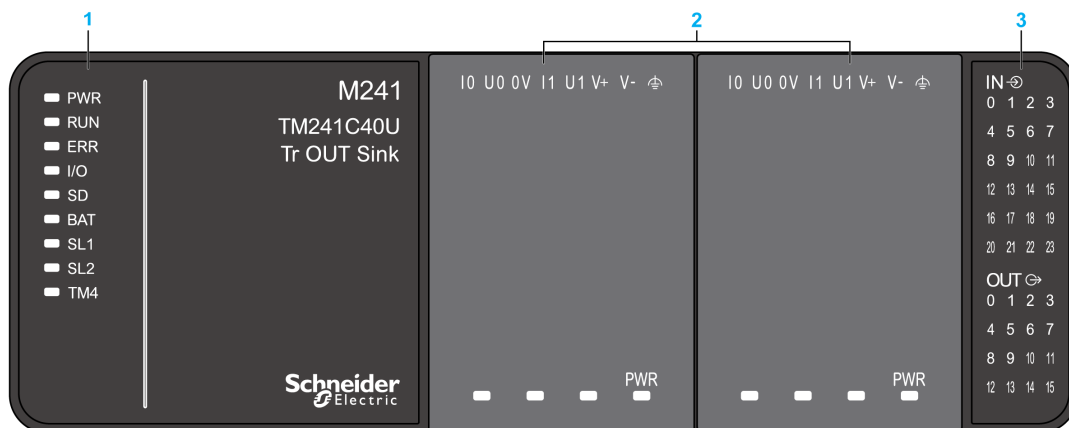
The following figure shows the different components of the TM241C40U logic controller:



N°	Description	Refer to
1	Run/Stop switch	Run/Stop (see page 54)
2	SD card slot	SD Card (see page 56)
3	Battery holder	Real Time Clock (RTC) (see page 42)
4	Cartridge slot	–
5	LEDs for indicating I/O states	Digital Inputs Status LEDs (see page 175)
		Transistor Outputs Status LEDs (see page 188)
		Fast Outputs Status LEDs (see page 193)
6	USB mini-B programming port / For terminal connection to a programming PC (SoMachine)	USB Mini-B Programming Port (see page 205)
7	Clip-on lock for 35 mm (1.38 in.) top hat section rail (DIN-rail)	Top Hat Section Rail (see page 74)
8	Embedded regular transistor outputs	Regular Transistor Outputs (see page 187)
	Embedded fast transistor outputs	Fast Transistor Outputs (see page 192)
	Output removable terminal block	Rules for Removable Screw Terminal Block (see page 83)
9	24 Vdc power supply	DC Power supply Characteristics and Wiring (see page 87)
10	Status LEDs	–
11	TM4 bus connector	TM4 Expansion Modules (see page 25)
12	Serial line port 1 / Type RJ45 (RS-232 or RS-485)	Serial Line 1 (see page 207)
13	Serial line port 2 / Screw terminal block type (RS-485)	Serial Line 2 (see page 211)
14	Embedded digital inputs	Embedded Digital Inputs (see page 174)
	Input removable terminal block	Rules for Removable Screw Terminal Block (see page 83)
15	TM3/TM2 bus connector	TM3 Expansion Modules (see page 26)
16	Protective cover (SD card slot, Run/Stop switch, and USB mini-B programming port)	–
17	Locking hook (Hook not included)	–

Status LEDs

The following figure shows the status LEDs:



- 1 System status LEDs
- 2 Cartridge status LEDs (optional)
- 3 I/Os status LEDs

The following table describes the system status LEDs:

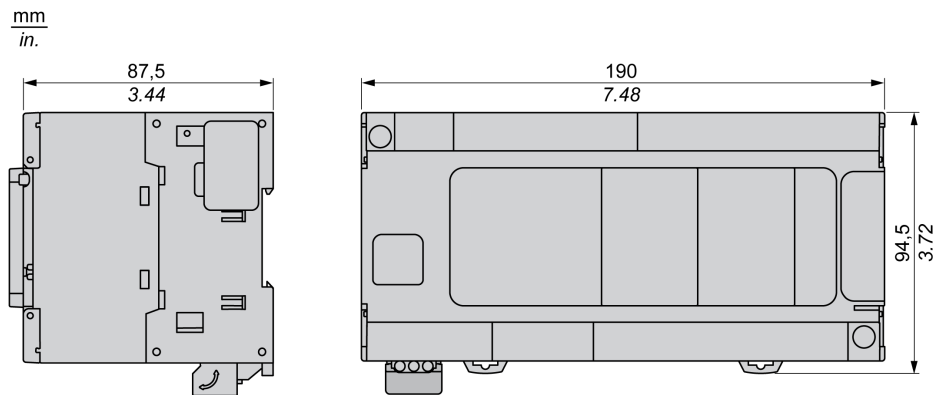
Label	Function Type	Color	Status	Description		
				Controller States ¹	Prg Port Communication	Application Execution
PWR	Power	Green	On	Indicates that power is applied.		
			Off	Indicates that power is removed.		
RUN	Machine status	Green	On	Indicates that the controller is running a valid application.		
			Flashing	Indicates that the controller has a valid application that is stopped.		
			1 flash	Indicates that the controller has paused at BREAKPOINT.		
			Off	Indicates that the controller is not programmed	-	-
ERR	Error	Red	On	EXCEPTION	Restricted	NO
			Flashing	INTERNAL ERROR	Restricted	NO
			1 single flash	Minor error detected	Yes	NO
			3 flashes	No Application	Yes	Yes
I/O	I/O error	Red	On	Indicates device errors on the serial line 1 or 2, SD card, cartridge, TM4 bus, TM3 bus.		

Label	Function Type	Color	Status	Description		
				Controller States ¹	Prg Port Communication	Application Execution
SD	SD card access	Green	On	Indicates that the SD card is being accessed		
BAT	Battery	Red	On	Indicates that the battery needs to be replaced.		
			Flashing	Indicates that the battery charge is low.		
SL1	Serial line 1	Green	On	Indicates the status of serial line 1 (<i>see page 210</i>)		
			Off	Indicates no serial communication		
SL2	Serial line 2	Green	On	Indicates the status of serial line 2 (<i>see page 212</i>)		
			Off	Indicates no serial communication		
TM4	Error on TM4 bus	Red	On	Indicates that an error has been detected on the TM4 bus		
			Off	Indicates that no error has been detected on the TM4 bus		

¹ For more information about the controller state description, refer to the M241 Logic Controller - Programming Guide.

Dimensions

The following figure shows the external dimensions of the logic controller:



Chapter 18

TM241CE40U

TM241CE40U Presentation

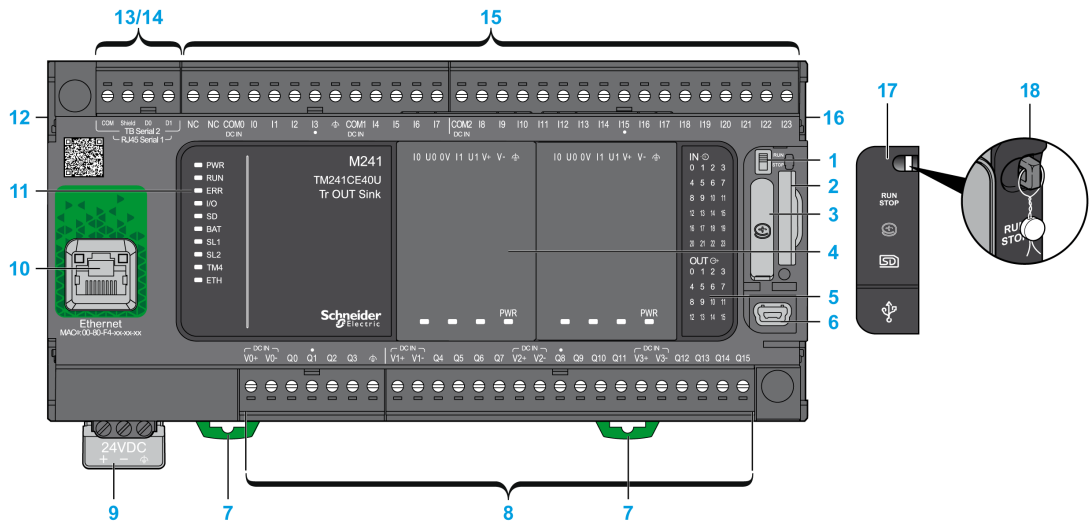
Overview

TM241CE40U logic controllers:

- 24 digital inputs
 - 8 fast inputs
 - 16 regular inputs
- 16 digital outputs
 - 4 fast outputs
 - 12 regular outputs
- Communication port
 - 2 serial line ports
 - 1 Ethernet port
 - 1 USB mini-B programming port

Description

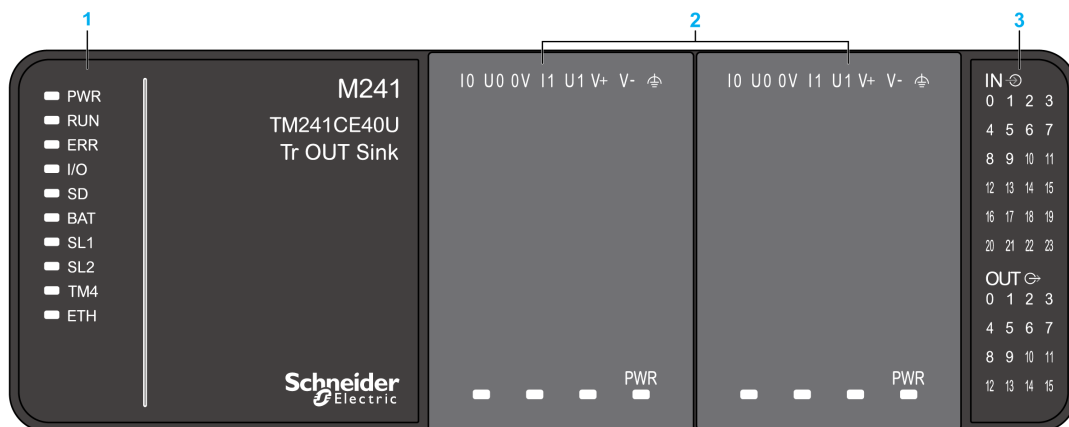
The following figure shows the different components of the TM241CE40U logic controller:



N°	Description	Refer to
1	Run/Stop switch	Run/Stop (see page 54)
2	SD card slot	SD Card (see page 56)
3	Battery holder	Real Time Clock (RTC) (see page 42)
4	Cartridge slot	–
5	LEDs for indicating I/O states	Digital Inputs Status LEDs (see page 175)
		Transistor Outputs Status LEDs (see page 188)
		Fast Outputs Status LEDs (see page 193)
6	USB mini-B programming port / For terminal connection to a programming PC (SoMachine)	USB Mini-B Programming Port (see page 205)
7	Clip-on lock for 35 mm (1.38 in.) top hat section rail (DIN-rail)	Top Hat Section Rail (see page 74)
8	Embedded regular transistor outputs	Regular Transistor Outputs (see page 187)
	Embedded fast transistor outputs	Fast Transistor Outputs (see page 192)
	Output removable terminal block	Rules for Removable Screw Terminal Block (see page 83)
9	24 Vdc power supply	DC Power supply Characteristics and Wiring (see page 87)
10	Ethernet port / Type RJ45 (RS-232 or RS-485)	Ethernet Port (see page 202)
11	Status LEDs	–
12	TM4 bus connector	TM4 Expansion Modules (see page 25)
13	Serial line port 1 / Type RJ45 (RS-232 or RS-485)	Serial Line 1 (see page 207)
14	Serial line port 2 / Screw terminal block type (RS-485)	Serial Line 2 (see page 211)
15	Embedded digital inputs	Embedded Digital Inputs (see page 174)
	Input removable terminal block	Rules for Removable Screw Terminal Block (see page 83)
16	TM3/TM2 bus connector	TM3 Expansion Modules (see page 26)
17	Protective cover (SD card slot, Run/Stop switch, and USB mini-B programming port)	–
18	Locking hook (Hook not included)	–

Status LEDs

The following figure shows the status LEDs:



- 1 System status LEDs
- 2 Cartridge status LEDs (optional)
- 3 I/Os status LEDs

The following table describes the system status LEDs:

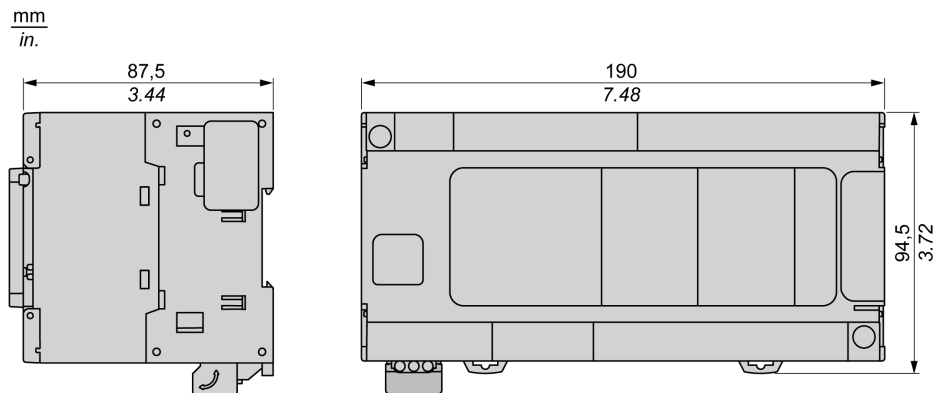
Label	Function Type	Color	Status	Description		
				Controller States ¹	Prg Port Communication	Application Execution
PWR	Power	Green	On	Indicates that power is applied.		
			Off	Indicates that power is removed.		
RUN	Machine status	Green	On	Indicates that the controller is running a valid application.		
			Flashing	Indicates that the controller has a valid application that is stopped.		
			1 flash	Indicates that the controller has paused at BREAKPOINT.		
			Off	Indicates that the controller is not programmed	-	-
ERR	Error	Red	On	EXCEPTION	Restricted	NO
			Flashing	INTERNAL ERROR	Restricted	NO
			1 single flash	Minor error detected	Yes	NO
			3 flashes	No Application	Yes	Yes
I/O	I/O error	Red	On	Indicates device errors on the serial line 1 or 2, SD card, cartridge, TM4 bus, TM3 bus or Ethernet port.		

Label	Function Type	Color	Status	Description		
				Controller States ¹	Prg Port Communication	Application Execution
SD	SD card access	Green	On	Indicates that the SD card is being accessed		
BAT	Battery	Red	On	Indicates that the battery needs to be replaced.		
			Flashing	Indicates that the battery charge is low.		
SL1	Serial line 1	Green	On	Indicates the status of serial line 1 (<i>see page 210</i>)		
			Off	Indicates no serial communication		
SL2	Serial line 2	Green	On	Indicates the status of serial line 2 (<i>see page 212</i>)		
			Off	Indicates no serial communication		
TM4	Error on TM4 bus	Red	On	Indicates that an error has been detected on the TM4 bus		
			Off	Indicates that no error has been detected on the TM4 bus		
ETH	Ethernet port status	Green	On	Indicates that the ethernet port is connected and the IP address is defined.		
			3 flashes	Indicates that the ethernet port is not connected.		
			4 flashes	Indicates that the IP address is already in used.		
			5 flashes	Indicates that the module is waiting for BOOTP or DHCP sequence.		
			6 flashes	Indicates that the configured IP address is not valid.		

¹ For more information about the controller state description, refer to the M241 Logic Controller - Programming Guide.

Dimensions

The following figure shows the external dimensions of the logic controller:



Chapter 19

Embedded I/O Channels

Overview

This chapter describes the embedded I/O channels.

What Is in This Chapter?

This chapter contains the following topics:

Topic	Page
Digital Inputs	174
Relay Outputs	181
Regular Transistor Outputs	187
Fast Transistor Outputs	192

Digital Inputs

Overview

The Modicon M241 Logic Controller has digital inputs embedded:

Reference	Total number of digital inputs	Fast inputs which can be used as 200 kHz HSC inputs	Regular inputs
TM241C••24R TM241C••24T TM241C••24U	14	8	6
TM241C•40R TM241C•40T TM241C•40U	24	8	16

For more information, refer to Input Management ([see page 46](#)).

DANGER

FIRE HAZARD

- Use only the recommended wire sizes for the current capacity of the I/O channels and power supplies.
- For relay output (2 A) wiring, use conductors of at least 0.5 mm² (AWG 20) with a temperature rating of at least 80 °C (176 °F).
- For common conductors of relay output wiring (7 A), or relay output wiring greater than 2 A, use conductors of at least 1.0 mm² (AWG 16) with a temperature rating of at least 80 °C (176 °F).

Failure to follow these instructions will result in death or serious injury.

WARNING

UNINTENDED EQUIPMENT OPERATION

Do not exceed any of the rated values specified in the environmental and electrical characteristics tables.

Failure to follow these instructions can result in death, serious injury, or equipment damage.

Digital Input Status LEDs

The following figure shows the status LEDs for the TM241C••24• controller (the TM241C•40• controllers are similar with 40 LEDs):



LED	Color	Status	Description
0...13	Green	On	The input channel is activated
		Off	The input channel is deactivated

Regular Input Characteristics

The table below describes the characteristics of the M241 Logic Controller with regular inputs:

Characteristic	Values	
	TM241C••24•	TM241C•40•
Number of regular inputs	6 inputs (I8...I13)	16 inputs (I8...I23)
Number of channel groups	1 common line for I8...I13	1 common line for I8...I23
Input type	Type 1 (IEC 61131-2 Edition 3)	
Logic type	Sink/Source	
Input voltage range	24 Vdc	
Rated input voltage	0...28.8 Vdc	
Rated input current	5 mA	7 mA
Input impedance	4.7 kΩ	
Input limit values	Voltage at state 1	> 15 Vdc (15...28.8 Vdc)
	Voltage at state 0	< 5 Vdc (0...5 Vdc)
	Current at state 1	> 2.5 mA
	Current at state 0	< 1.0 mA
¹ For more information, refer to Integrator Filter Principle (see page 47)		

Characteristic		Values	
		TM241C••24•	TM241C•40•
Derating		No derating	
Turn on time		50 μ s + filter value ¹	
Turn off time		50 μ s + filter value ¹	
Isolation	Between input and internal logic	500 Vac	
	Between input terminals	Not Isolated	
Connection type		Removable screw terminal block	
Connector insertion/removal durability		Over 100 times	
Cable	Type	Unshielded	
	Length	Maximum 50 m (164 ft)	
¹ For more information, refer to Integrator Filter Principle (see page 47)			

Fast Input Characteristics

The table below describes the characteristics of the M241 Logic Controller with fast inputs:

Characteristic		Value
Number of fast transistor inputs		8 inputs (I0...I7)
Number of channel groups		1 common line for I0...I3 1 common line for I4...I7
Input type		Type 1 (IEC 61131-2 Edition 3)
Logic type		Sink/Source
Rated input voltage		24 Vdc
Input voltage range		0...28.8 Vdc
Rated input current		10.7 mA
Input impedance		2.81 k Ω
Input limit values	Voltage at state 1	> 15 Vdc (15...28.8 Vdc)
	Voltage at state 0	< 5 Vdc (0...5 Vdc)
	Current at state 1	> 5 mA
	Current at state 0	< 1.5 mA
Derating		No derating
Turn on time		2 μ s + filter value ¹
Turn off time		2 μ s + filter value ¹
¹ For more information, refer to Integrator Filter Principle (see page 47)		

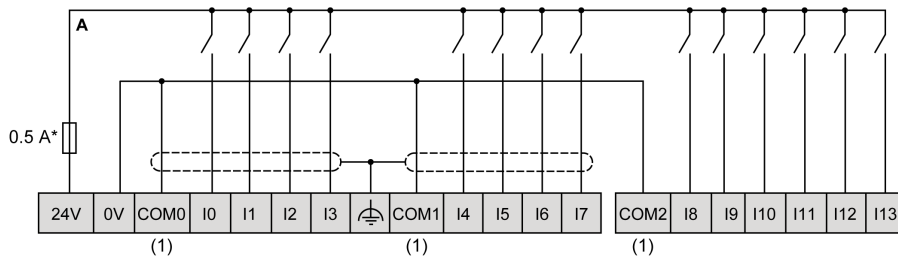
Characteristic		Value
HSC maximum frequency	A/B phase	100 kHz
	Pulse/Direction	200 kHz
	Single phase	200 kHz
HSC supported operation mode		<ul style="list-style-type: none"> • A/B phase counter • Pulse/Direction counter • Single/Dual phase counter
Isolation	Between input and internal logic	500 Vac
	Between input terminals	Not isolated
Connection type		Removable screw terminal block
Connector insertion/removal durability		Over 100 times
Cable	Type	Shielded, including the 24 Vdc power supply
	Length	Maximum 10 m (32.8 ft)
¹ For more information, refer to Integrator Filter Principle (see page 47)		

Removing Terminal Block

Refer to Removing Terminal Block ([see page 84](#)).

TM241C••24R Wiring Diagrams

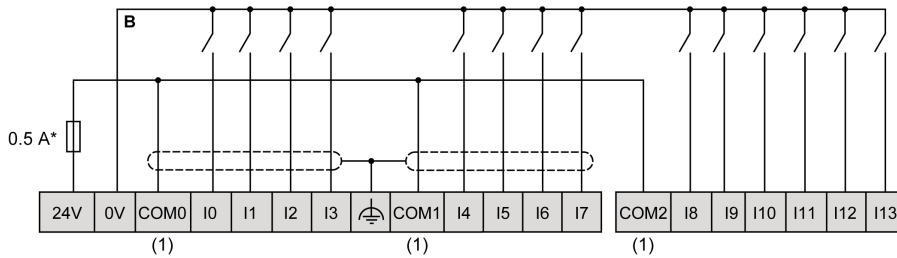
The following figure shows the sink wiring (positive logic) of the controller digital inputs:



* Type T fuse

(1) The COM0, COM1 and COM2 terminals are **not** connected internally.

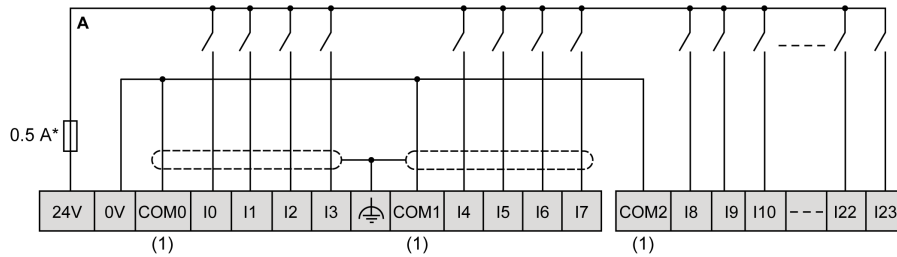
The following figure shows the source wiring (negative logic) of the controller digital inputs:



- * Type T fuse
- (1) The COM0, COM1 and COM2 terminals are **not** connected internally.

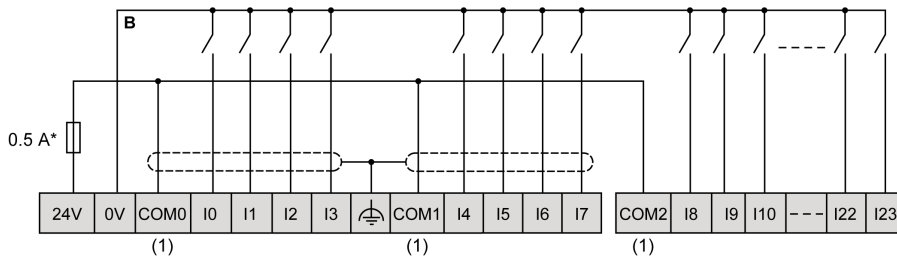
TM241C•40R Wiring Diagrams

The following figure shows the sink wiring (positive logic) of the controller digital inputs:



- * Type T fuse
- (1) The COM0, COM1 and COM2 terminals are **not** connected internally.

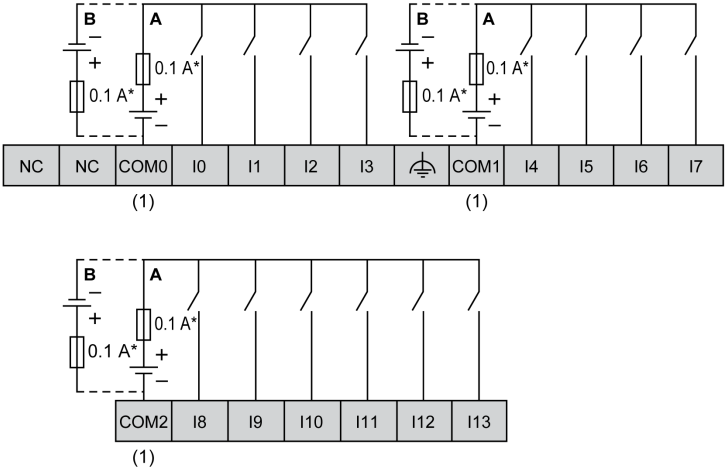
The following figure shows the source wiring (negative logic) of the controller digital inputs:



- * Type T fuse
- (1) The COM0, COM1 and COM2 terminals are **not** connected internally.

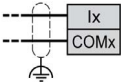
TM241C••24T / TM241C••24U Wiring Diagrams

The following figure shows the connection of the controller digital inputs:



- * Type T fuse
- (1) The COM0, COM1 and COM2 terminals are **not** connected internally.
- A Sink wiring (positive logic).
- B Source wiring (negative logic).

Fast input wiring for I0... I7:



⚠ WARNING

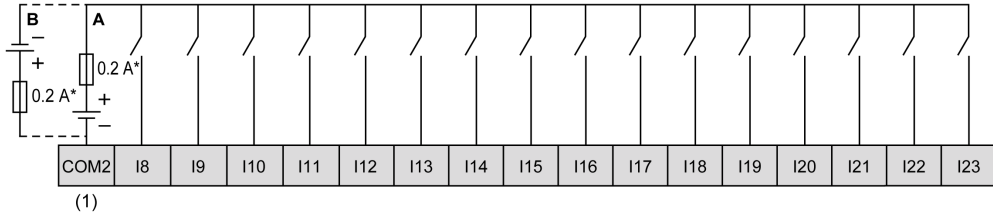
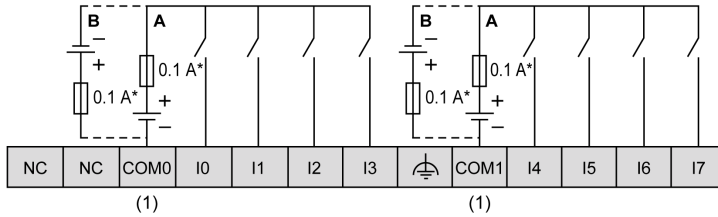
UNINTENDED EQUIPMENT OPERATION

Do not connect wires to unused terminals and/or terminals indicated as “No Connection (N.C.)”.

Failure to follow these instructions can result in death, serious injury, or equipment damage.

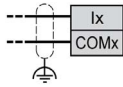
TM241C-40T / TM241C-40U Wiring Diagrams

The following figure shows the connection of the controller digital inputs:



- * Type T fuse
- (1) The COM0, COM1 and COM2 terminals are **not** connected internally.
- A** Sink wiring (positive logic).
- B** Source wiring (negative logic).

Fast input wiring for I0... I7:



⚠ WARNING

UNINTENDED EQUIPMENT OPERATION

Do not connect wires to unused terminals and/or terminals indicated as “No Connection (N.C.)”.

Failure to follow these instructions can result in death, serious injury, or equipment damage.

Relay Outputs

Overview

The Modicon M241 Logic Controller has digital outputs embedded:

Reference	Total number of digital outputs	Fast transistor outputs (see page 193) ⁽¹⁾	Relay outputs (see page 182)	Regular transistor outputs (see page 188)
TM241C••24R	10	4	6	0
TM241C••24T TM241C••24U	10	4	0	6
TM241C•40R	16	4	12	0
TM241C•40T TM241C•40U	16	4	0	12

⁽¹⁾ Fast transistor outputs which can be used as 100 kHz PTO outputs

For more information, refer to Output Management (see page 50).

DANGER

FIRE HAZARD

- Use only the recommended wire sizes for the current capacity of the I/O channels and power supplies.
- For relay output (2 A) wiring, use conductors of at least 0.5 mm² (AWG 20) with a temperature rating of at least 80 °C (176 °F).
- For common conductors of relay output wiring (7 A), or relay output wiring greater than 2 A, use conductors of at least 1.0 mm² (AWG 16) with a temperature rating of at least 80 °C (176 °F).

Failure to follow these instructions will result in death or serious injury.

WARNING

UNINTENDED EQUIPMENT OPERATION

Do not exceed any of the rated values specified in the environmental and electrical characteristics tables.

Failure to follow these instructions can result in death, serious injury, or equipment damage.

Relay Outputs Status LEDs

The following figure shows the status LEDs for the TM241C••24• controller (the TM241C•40• controllers are similar with 40 LEDs):



LED	Color	Status	Description
0...9	Green	On	The output channel is activated
		Off	The output channel is deactivated

Relay Outputs Characteristics

The following table describes the characteristics of the M241 Logic Controller relay outputs:


Characteristic	Value	
	TM241C••24R	TM241C•40R
Number of relay output channels	6 outputs (Q4...Q9)	12 outputs (Q4...Q15)
Number of channel groups	1 common line for Q4, Q5 1 common line for Q6, Q7 1 line for Q8 1 line for Q9	1 common line for Q4...Q7 1 common line for Q8, Q9 1 common line for Q10, Q11 1 common line for Q12, Q13 1 line for Q14 1 line for Q15
Output type	Relay	
Contact type	NO (Normally Open)	
Rated output voltage	24 Vdc, 240 Vac	
Maximum voltage	30 Vdc, 264 Vac	
<ol style="list-style-type: none"> 1 Refer to Protecting Outputs from Inductive Load Damage (see page 85) for additional information concerning output protection. 2 When Q4, Q5, Q6 and Q7 are on the same common line (max output current 4 A), those 4 outputs used simultaneously have a derating of 50%. 3 Outputs Q4 and Q6 used as PTO/PWM/FG can result in a premature wear of those relay outputs. 		

Characteristic	Value	
	TM241C••24R	TM241C•40R
Minimum switching load	5 Vdc at 10 mA	
Derating	No derating	Derating on Q4...Q7, refer to the note 2.
Rated output current	2 A	
Maximum output current	2 A per output	
	4 A per common	
Maximum output frequency with maximum load	20 operations per minute	
Turn on time	Max. 10 ms	
Turn off time	Max. 10 ms	
Contact resistance	30 mΩ max	
Mechanical life	20 million operations	
Electrical life	Under resistive load	See power limitation
	Under inductive load	
Protection against short circuit	No	
Isolation	Between output and internal logic	500 Vac
	Between channel groups	1500 Vac
Connection type	Removable screw terminal blocks	
Connector insertion/removal durability	Over 100 times	
Cable	Type	Unshielded
	Length	Max. 30 m (98 ft)
<p>1 Refer to Protecting Outputs from Inductive Load Damage (see page 85) for additional information concerning output protection.</p> <p>2 When Q4, Q5, Q6 and Q7 are on the same common line (max output current 4 A), those 4 outputs used simultaneously have a derating of 50%.</p> <p>3 Outputs Q4 and Q6 used as PTO/PWM/FG can result in a premature wear of those relay outputs.</p>		

Power Limitation

The following table describes the power limitation of the relay outputs depending on the voltage, the type of load, and the number of operations required.

These controllers do not support capacitive loads.

 **WARNING**

RELAY OUTPUTS WELDED CLOSED

- Always protect relay outputs from inductive alternating current load damage using an appropriate external protective circuit or device.
- Do not connect relay outputs to capacitive loads.

Failure to follow these instructions can result in death, serious injury, or equipment damage.

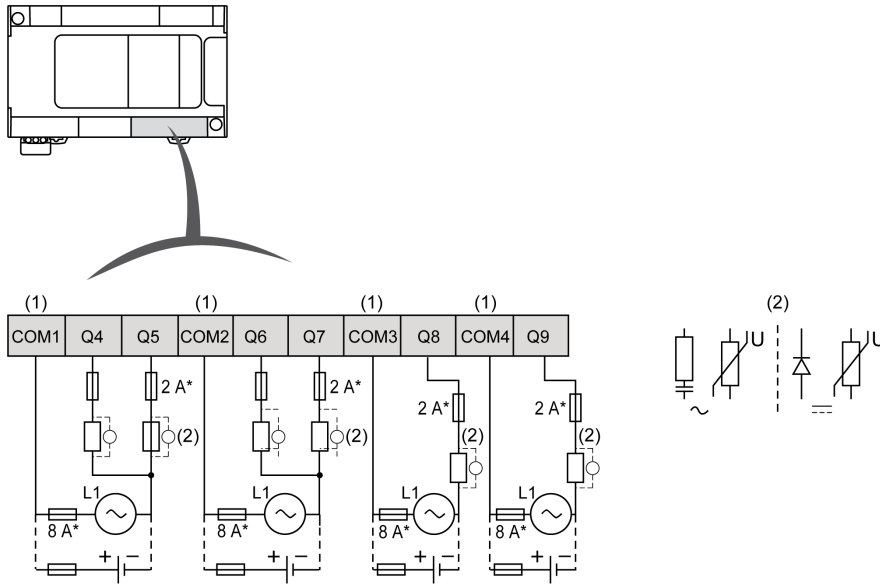
Power Limitations				
Voltage	24 Vdc	120 Vac	240 Vac	Number of operations
Power of resistive loads AC-12	–	240 VA 80 VA	480 VA 160 VA	100,000 300,000
Power of inductive loads AC-15 (cos φ = 0.35)	–	60 VA 18 VA	120 VA 36 VA	100,000 300,000
Power of inductive loads AC-14 (cos φ = 0.7)	–	120 VA 36 VA	240 VA 72 VA	100,000 300,000
Power of resistive loads DC-12	48 W 16 W	–	–	100,000 300,000
Power of inductive loads DC-13 L/R = 7 ms	24 W 7.2 W	–	–	100,000 300,000

Removing Terminal Block

Refer to Removing Terminal Block ([see page 84](#)).

TM241C•24R Relay Outputs Wiring Diagrams

The following figure shows the wiring of the outputs:



* Type T fuse

(1) The terminals COM1 to COM4 are **not** connected internally.

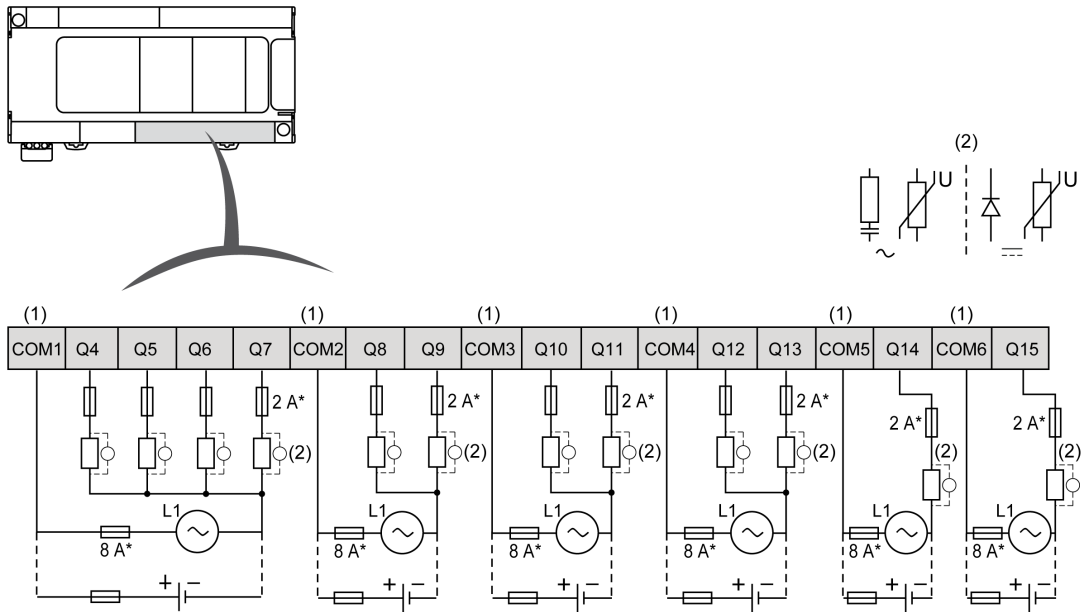
(2) To improve the life time of the contacts, and to protect from potential inductive load damage, you must connect a free wheeling diode in parallel to each inductive DC load or an RC snubber in parallel of each inductive AC load

Refer to Protecting Outputs from Inductive Load Damage ([see page 85](#)) for additional information concerning output protection.

NOTE: The assigned fuse values have been specified for the maximum current characteristics of the controller I/O and associated commons. You may have other considerations that are applicable based on the unique types of input and output devices you connect, and you should size your fuses accordingly.

TM241C•40R Relay Outputs Wiring Diagrams

The following figure shows the wiring of the outputs:



* Type T fuse

(1) The terminals COM1 to COM6 are **not** connected internally.

(2) To improve the life time of the contacts, and to protect from potential inductive load damage, you must connect a free wheeling diode in parallel to each inductive DC load or an RC snubber in parallel of each inductive AC load

Refer to Protecting Outputs from Inductive Load Damage ([see page 85](#)) for additional information concerning output protection.

NOTE: The assigned fuse values have been specified for the maximum current characteristics of the controller I/O and associated commons. You may have other considerations that are applicable based on the unique types of input and output devices you connect, and you should size your fuses accordingly.

Regular Transistor Outputs

Overview

The Modicon M241 Logic Controller has digital outputs embedded:

Reference	Total number of digital outputs	Fast transistor outputs (see page 193) ⁽¹⁾	Relay outputs (see page 182)	Regular transistor outputs (see page 188)
TM241C••24R	10	4	6	0
TM241C••24T TM241C••24U	10	4	0	6
TM241C•40R	16	4	12	0
TM241C•40T TM241C•40U	16	4	0	12

⁽¹⁾ Fast transistor outputs which can be used as 100 kHz PTO outputs

For more information, refer to Output Management (see page 50).

DANGER

FIRE HAZARD

- Use only the recommended wire sizes for the current capacity of the I/O channels and power supplies.
- For relay output (2 A) wiring, use conductors of at least 0.5 mm² (AWG 20) with a temperature rating of at least 80 °C (176 °F).
- For common conductors of relay output wiring (7 A), or relay output wiring greater than 2 A, use conductors of at least 1.0 mm² (AWG 16) with a temperature rating of at least 80 °C (176 °F).

Failure to follow these instructions will result in death or serious injury.

WARNING

UNINTENDED EQUIPMENT OPERATION

Do not exceed any of the rated values specified in the environmental and electrical characteristics tables.

Failure to follow these instructions can result in death, serious injury, or equipment damage.

Regular Transistor Outputs Status LEDs

The following figure shows the status LEDs for the TM241C••24• controller (the TM241C•40• controllers are similar with 40 LEDs):



LED	Color	Status	Description
0...9	Green	On	The output channel is activated
		Off	The output channel is deactivated

Regular Transistor Outputs Characteristics

The following table describes the characteristics of the M241 Logic Controller regular transistor outputs:

Characteristic	TM241C••24T	TM241C••24U	TM241C•40T	TM241C•40U
Number of regular transistor outputs	6 outputs (Q4...Q9)		12 outputs (Q4...Q15)	
Number of channel groups	1 common line for Q4...Q7 common line for Q8, Q9		1 common line for Q4...Q7 common line for Q8...Q11 common line for Q12...Q15	
Output type	Transistor			
Logic type	Source	Sink	Source	Sink
Rated output voltage	24 Vdc			
Output voltage range	19.2...28.8 Vdc			
Rated output current	0.5 A			
Total output current per group	0.5A x number of outputs of the group			
Voltage drop	1 Vdc max			
Leakage current when switched off	< 5 µA			
Maximum power of filament lamp	2.4 W max			
Derating	No derating			

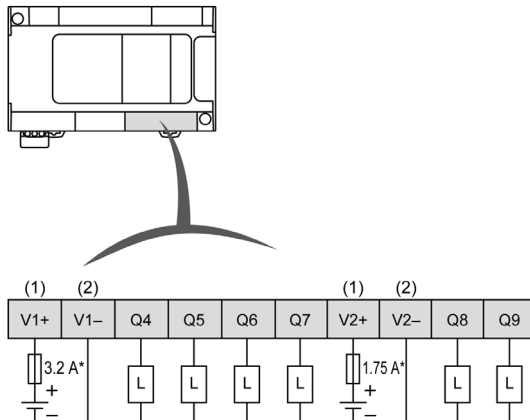
Characteristic		TM241C••24T	TM241C••24U	TM241C•40T	TM241C•40U
Turn on time		Max. 34 μ s			
Turn off time		Max. 250 μ s			
Protection against short circuit		Yes			
Short circuit output peak current		1.3 A			
Automatic rearming after short circuit or overload		Yes, every 10 ms			
Clamping voltage		Max. 39 Vdc +/- 1 Vdc			
Maximum output frequency		1 kHz			
Isolation	Between output and internal logic	500 Vac			
	Between output terminals	Not isolated			
Connection type		Removable screw terminal block			
Connector insertion/removal durability		Over 100 times			
Cable	Type	Unshielded			
	Length	Max 50 m (164 ft)			

Removing Terminal Block

Refer to Removing Terminal Block ([see page 84](#)).

TM241C••24T Regular Transistor Outputs Source Wiring Diagram

The following figure shows the source wiring (positive logic) of the outputs:

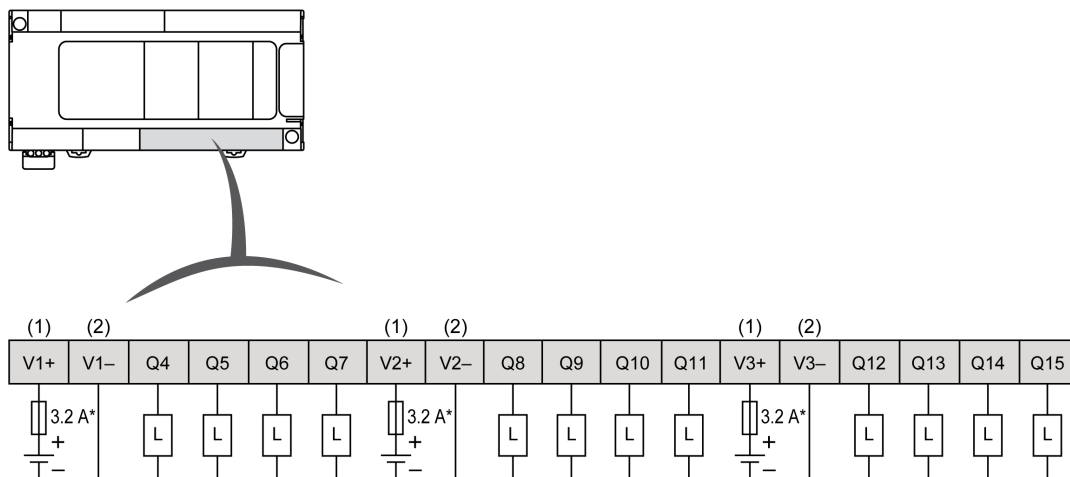


* Type T fuse

- (1) The V1+ and V2+ terminals are **not** connected internally.
- (2) The V1- and V2- terminals are **not** connected internally.

TM241C•40T Regular Transistor Outputs Source Wiring Diagram

The following figure shows the source wiring (positive logic) of the outputs:



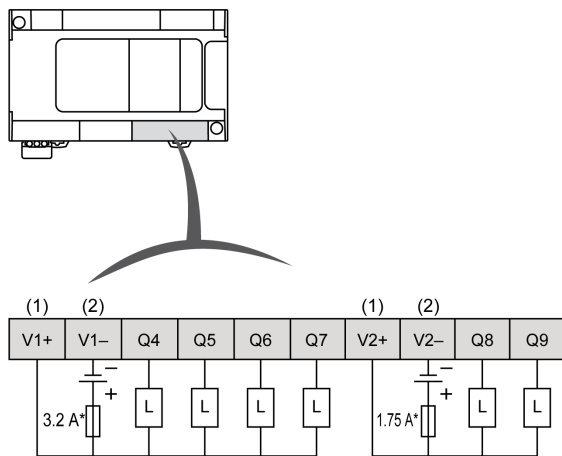
* Type T fuse

(1) The V1+, V2+ and V3+ terminals are **not** connected internally.

(2) The V1-, V2- and V3- terminals are **not** connected internally.

TM241C•24U Regular Transistor Outputs Sink Wiring Diagrams

The following figure shows the sink wiring (negative logic) of the outputs:



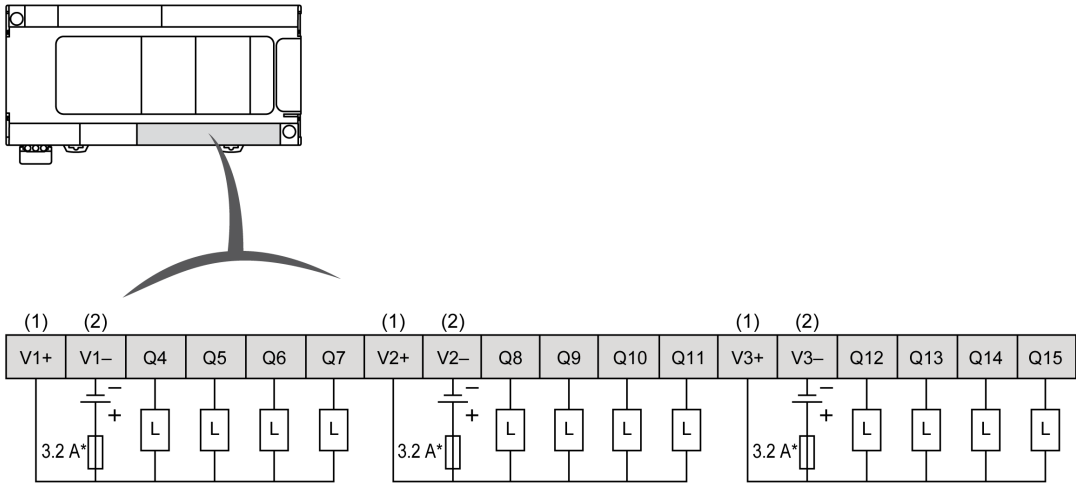
* Type T fuse

(1) The V1+ and V2+ terminals are **not** connected internally.

(2) The V1- and V2- terminals are **not** connected internally.

TM241C-40U Regular Transistor Outputs Sink Wiring Diagrams

The following figure shows the sink wiring (negative logic) of the outputs:



- * Type T fuse
- (1) The V1+, V2+ and V3+ terminals are **not** connected internally.
- (2) The V1-, V2- and V3- terminals are **not** connected internally.

Fast Transistor Outputs

Overview

The Modicon M241 Logic Controller has digital outputs embedded:

Reference	Total number of digital outputs	Fast transistor outputs (see page 193) ⁽¹⁾	Relay outputs (see page 182)	Regular transistor outputs (see page 188)
TM241C••24R	10	4	6	0
TM241C••24T TM241C••24U	10	4	0	6
TM241C•40R	16	4	12	0
TM241C•40T TM241C•40U	16	4	0	12

⁽¹⁾ Fast transistor outputs which can be used as 100 kHz PTO outputs

For more information, refer to Output Management (see page 50).

DANGER

FIRE HAZARD

- Use only the recommended wire sizes for the current capacity of the I/O channels and power supplies.
- For relay output (2 A) wiring, use conductors of at least 0.5 mm² (AWG 20) with a temperature rating of at least 80 °C (176 °F).
- For common conductors of relay output wiring (7 A), or relay output wiring greater than 2 A, use conductors of at least 1.0 mm² (AWG 16) with a temperature rating of at least 80 °C (176 °F).

Failure to follow these instructions will result in death or serious injury.

WARNING

UNINTENDED EQUIPMENT OPERATION

Do not exceed any of the rated values specified in the environmental and electrical characteristics tables.

Failure to follow these instructions can result in death, serious injury, or equipment damage.

Fast Transistor Outputs Status LEDs

The following figure shows the status LEDs for the TM241C••24• controller (the TM241C•40• controllers are similar with 40 LEDs):



LED	Color	Status	Description
0...9	Green	On	The output channel is activated
		Off	The output channel is deactivated

Fast Transistor Outputs Characteristics

The following table describes the characteristics of the M241 Logic Controller fast transistor outputs:

Characteristic	Value		
	TM241C••R	TM241C••T	TM241C••U
Number of fast transistor outputs	4 outputs (TR0...TR3)	4 outputs (Q0...Q3)	
Number of channel groups	1 common line for TR0...TR3	1 common line for Q0...Q3	
Output type	Transistor		
Logic type	Source	Source	Sink
Rated output voltage	24 Vdc		
Output voltage range	19.2...28.8 Vdc		
Rated output current	0.1 A when configured for a fast function		
	0.5 A when used as a regular output		
Total output current per group	2 A		
Maximum power of filament lamp	2.4 W max		
Derating	No Derating		

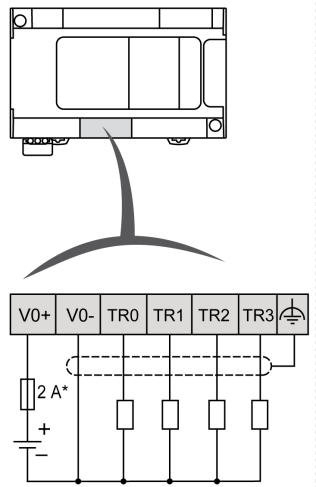
Characteristic		Value		
		TM241C***R	TM241C***T	TM241C***U
Turn on time		Max. 2 µs		
Turn off time		Max. 2 µs		
Protection against short circuit		Yes		
Short circuit output peak current		1.3 A max.		
Automatic rearming after short circuit or overload		Yes, 12 s		
Protection against reverse polarity		Yes		
Clamping voltage		Typically 39 Vdc +/- 1 Vdc		
Maximum output frequency	PTO	100 kHz		
	PWM	20 kHz		
PWM mode duty rate step		0.1% at 20...1 kHz		
Duty rate range		1...99 %		
Isolation	Between output and internal logic	500 Vac		
	Between channel groups	500 Vac		
Connection type		Removable screw terminal block		
Connector insertion/removal durability		Over 100 times		
Cable	Type	Shielded, including 24 Vdc power supply		
	Length	Maximum 3 m (9.84 ft)		

Removing Terminal Block

Refer to Removing Terminal Block ([see page 84](#)).

TM241C••24R / TM241C•40R Fast Transistor Outputs Wiring Diagrams

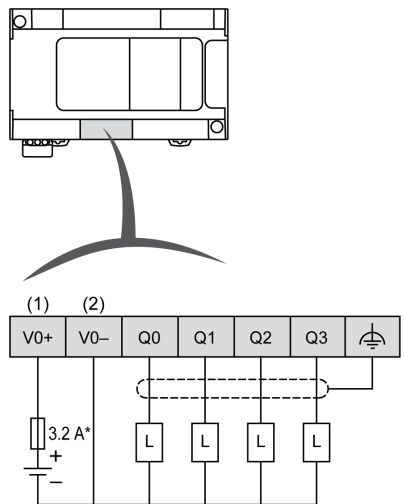
The following figure shows the connection of the fast transistor outputs:



* 2 A fast-blow fuse

TM241C••••T / TM241C••••U Fast Transistor Outputs Wiring Diagrams

The following figure shows the connection of the fast transistor outputs:



- * Type T fuse
- (1) The V0+, V1+, V2+ and V3+ terminals are **not** connected internally.
- (2) The V0-, V1-, V2- and V3- terminals are **not** connected internally.

Part III

Modicon M241 Logic Controller Communication

What Is in This Part?

This part contains the following chapters:

Chapter	Chapter Name	Page
20	Integrated Communication Ports	199
21	Connecting the M241 Logic Controller to a PC	213

Chapter 20

Integrated Communication Ports

What Is in This Chapter?

This chapter contains the following topics:

Topic	Page
CANopen Port	200
Ethernet Port	202
USB Mini-B Programming Port	205
Serial Line 1	207
Serial Line 2	211

CANopen Port

CANopen Capabilities

The Modicon M241 Logic Controller CANopen master has the following features:

Maximum number of slaves on the bus	63 CANopen slave devices
Maximum length of CANopen fieldbus cables	According to the CAN specification (see Cable Length and Transmission Speed).
Maximum number of PDO managed by the master	252 TPDOs + 252 RPDOs

For each additional CANopen slave,

- the application size increases by an average of 10 kbytes, which conceivably could result in exceeding memory limits.
- the configuration initialization time at the startup increases, which conceivably could result in watchdog timeout.

Although SoMachine does not restrict you from doing so, we recommend that you do not exceed more than 63 CANopen slave modules (and/or 252 TPDOs and 252 RPDOs) in order to have a sufficient performance tolerance and avoid any performance degradation.

WARNING

UNINTENDED EQUIPMENT OPERATION

Do not connect more than 63 CANopen slave devices to the controller to avoid system overload watchdog condition.

Failure to follow these instructions can result in death, serious injury, or equipment damage.

NOTICE

DEGRADATION OF PERFORMANCE

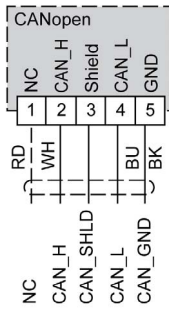
Do not exceed more than 252 TPDOs and 252 RPDOs for the Modicon M241 Logic Controller.

Failure to follow these instructions can result in equipment damage.

Removing Terminal Block

Refer to Removing Terminal Block ([see page 84](#)).

CANopen Wiring Diagram



Pin	Signal	Description	Marking	Color of Cable
1	Not used	Reserved	NC	RD: red
2	CAN_H	CAN_L bus line (dominant low)	CAN_H	WH: white
3	CAN_SHLD	Optional CAN shield	Shield	-
4	CAN_L	CAN_L bus line (dominant low)	CAN_L	BU: blue
5	CAN_GND	CAN Ground	GND	BK: black

Cable Length

Transmission speed is limited by the bus length and the type of cable used.

The following table describes the relationship between the maximum transmission speed and the bus length (on a single CAN segment without a repeater).

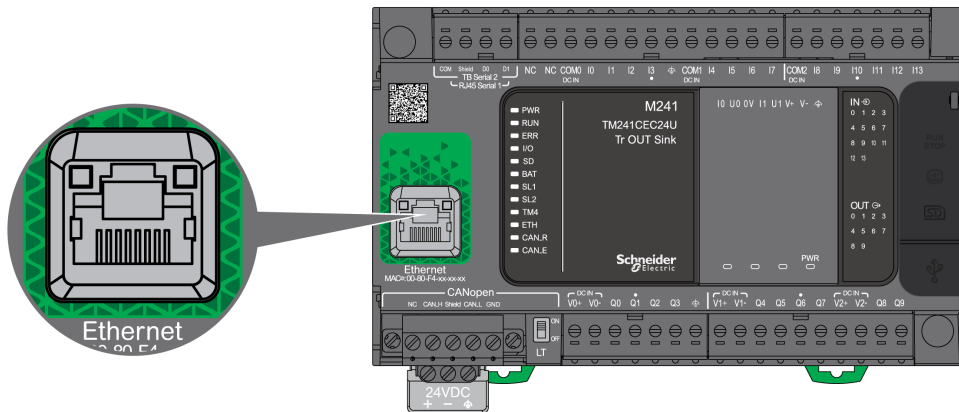
Maximum transmission baud rate	Bus length
1000 Kbps	20 m (65 ft)
800 Kbps	40 m (131 ft)
500 Kbps	100 m (328 ft)
250 Kbps	250 m (820 ft)
125 Kbps	500 m (1,640 ft)
50 Kbps	1000 m (3280 ft)
20 Kbps	2500 m (16,400 ft)

Ethernet Port

Overview

The TM241CE... are equipped with an Ethernet communications port.

The following figure shows the location of the Ethernet port on the controller:



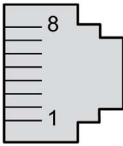
Characteristics

The following table describes the Ethernet characteristics:

Characteristic	Description
Function	Modbus TCP/IP
Connector type	RJ45
Auto negotiation	from 10 M half duplex to 100 M full duplex
Cable type	Shielded
Automatic cross-over detection	Yes

Pin Assignment

The following figure shows the RJ45 Ethernet connector pin assignment:



The following table describes the RJ45 Ethernet connector pins:

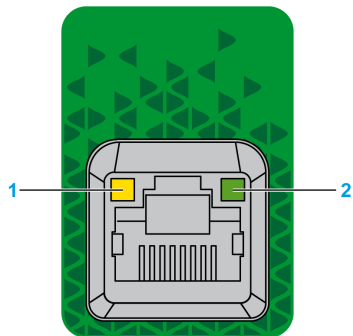
Pin N°	Signal
1	TD+
2	TD-
3	RD+
4	-
5	-
6	RD-
7	-
8	-

NOTE: The controller supports the MDI/MDIX auto-crossover cable function. It is not necessary to use special Ethernet crossover cables to connect devices directly to this port (connections without an Ethernet hub or switch).

NOTE: Ethernet cable disconnection is detected every second. In case of disconnection of a short duration (< 1 second), the network status may not indicate the disconnection.

Status LED

The following figure shows the RJ45 connector status LED:



The following table describes the Ethernet status LED:

Label	Description	LED		
		Color	Status	Description
1	Ethernet Link	Green/Yellow	Off	No link
			Solid yellow	Link at 10 Mbit/s
			Solid green	Activity at 100 Mbit/s
2	Ethernet Activity	Green	Off	No activity
			On	Transmitting or receiving data

USB Mini-B Programming Port

Overview

The USB Mini-B Port is the programming port you can use to connect a PC with a USB host port using SoMachine software. Using a typical USB cable, this connection is suitable for quick updates of the program or short duration connections to perform maintenance and inspect data values. It is not suitable for long-term connections such as commissioning or monitoring without the use of specially adapted cables to help minimize electromagnetic interference.

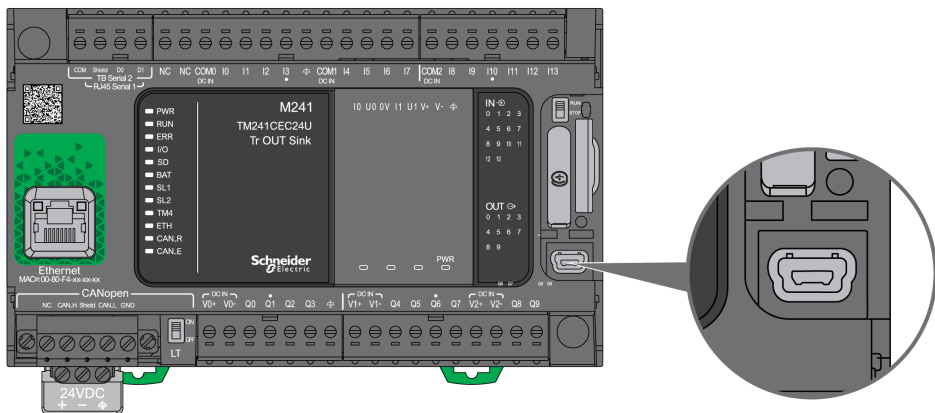
⚠ WARNING

INOPERABLE EQUIPMENT OR UNINTENDED EQUIPMENT OPERATION

- You must use a shielded USB cable such as a BMX XCAUSBH0** secured to the functional ground (FE) of the system for any long-term connection.
- Do not connect more than one controller at a time using USB connections.

Failure to follow these instructions can result in death, serious injury, or equipment damage.

The following figure shows the location of the USB Mini-B programming port:



Characteristics

This table describes the characteristics of the USB Mini-B programming port:

Parameter	USB Programming Port
Function	Compatible with USB 2.0
Connector type	Mini-B
Isolation	None
Cable type	Shielded

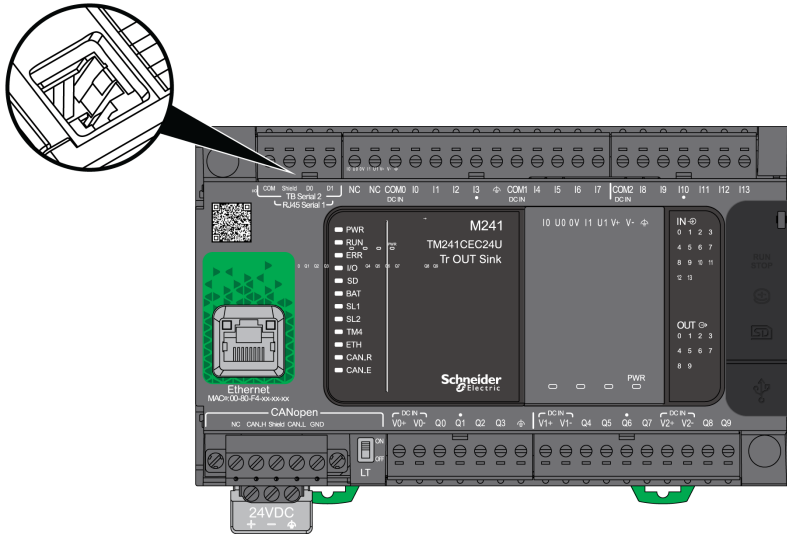
Serial Line 1

Overview

The serial line 1:

- can be used to communicate with devices supporting the Modbus protocol as either master or slave, ASCII protocol (printer, modem...) and SoMachine Protocol (HMI,...).
- provides a 5 Vdc power distribution.

The following figure shows the location of the serial line 1 port:



Characteristics

Characteristic		Description
Function		RS485 or RS232 software configured
Connector type		RJ45
Isolation		Non-isolated
Maximum baud rate		1200 up to 115 200 bps
Cable	Type	Shielded
	Maximum length	15 m (49 ft) for RS485 3 m (9.84 ft) for RS232
Polarization		Software configuration is used to connect when the node is configured as a Master. 560 Ω resistors are optional.
5 Vdc power supply for RS485		Yes

NOTE: Some devices provide voltage on RS485 serial connections. It is necessary to avoid connection of these voltage lines to your controller as they may damage the controller serial port electronics and render the serial port inoperable.

NOTICE

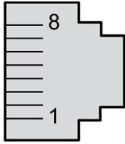
INOPERABLE EQUIPMENT

Use only the VW3A8306R** serial cable to connect RS485 devices to your controller.

Failure to follow these instructions can result in equipment damage.

Pin Assignment

The following figure shows the pins of the RJ45 connector:



The table below describes the pin assignment of the RJ45 connector:

Pin	RS232	RS485
1	RxD	N.C.
2	TxD	N.C.
3	N.C.	N.C.
4	N.C.	D1
5	N.C.	D0
6	N.C.	N.C.
7	N.C.*	5 Vdc
8	Common	Common
* 5 Vdc delivered by the controller. Do not connect.		

N.C.: No Connection

RxD: Received Data

TxD: Transmitted Data

⚠ WARNING

UNINTENDED EQUIPMENT OPERATION

Do not connect wires to unused terminals and/or terminals indicated as “No Connection (N.C.)”.

Failure to follow these instructions can result in death, serious injury, or equipment damage.

Status LED

The following figure shows the status LED of the serial line 1:



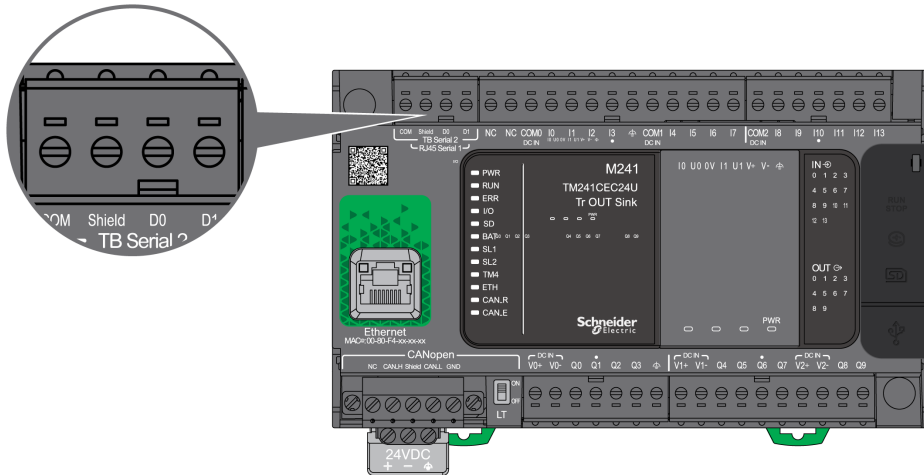
The table below describes the status LED of the serial line 1:

Label	Description	LED		
		Color	Status	Description
SL1	Serial Line 1	Green	On	Indicates the activity of the serial line 1
			Off	Indicates no serial communication

Serial Line 2

Overview

The serial line 2 is used to communicate with devices supporting the Modbus protocol as either a master or slave and ASCII Protocol (printer, modem...) and supports RS485 only.

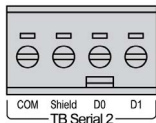


Characteristics

Characteristic		Description
Function		RS485
Connector type		Removable screw terminal block
Isolation		Non-isolated
Maximum baud rate		1200 up to 115 200 bps
Cable	Type	Shielded
	Maximum length	15 m (49 ft) for RS485
Polarization		Software configuration is used to connect when the node is configured as a Master. 560 Ω resistors are optional.
5 Vdc power supply for RS485		No

Pin Assignment

The following figure shows the pins of the removable terminal block:



Pin	RS485
COM	0 V com.
Shield	Shield
D0	D0 (B-)
D1	D1 (A+)

Refer to Removing Terminal Block ([see page 84](#)).

Status LED

The following graphic show the status LED:



The table below describes the serial line 2 status LED:

Label	Description	LED		
		Color	Status	Description
SL2	Serial Line 2	Green	On	Indicates the activity of the serial line 2.
			Off	Indicates no serial communication.

Chapter 21

Connecting the M241 Logic Controller to a PC

Connecting the Controller to a PC

Overview

To transfer, run, and monitor the applications, connect the controller to a computer, that has SoMachine installed, using either a USB cable or an Ethernet connection (for those references that support an Ethernet port).

NOTICE

INOPERABLE EQUIPMENT

Always connect the communication cable to the PC before connecting it to the controller.

Failure to follow these instructions can result in equipment damage.

USB Powered Download

In order to execute limited operations, the M241 Logic Controller has the capability to be powered through the USB Mini-B port. A diode mechanism avoids having the logic controller both powered by USB and by the normal power supply, or to supply voltage on the USB port.

When powered only by USB, the logic controller executes the firmware and the boot project (if any) and the I/O board is not powered during boot (same duration as a normal boot). USB powered download initializes the internal flash memory with some firmware or some application and parameters when the controller is powered by USB. The preferred tool to connect to the controller is the **Controller Assistant**.

The controller packaging allows easy access to USB Mini-B port with minimum opening of the packaging. You can connect the controller to the PC with a USB cable. Long cables are not suitable for the USB powered download.

WARNING

INSUFFICIENT POWER FOR USB DOWNLOAD

Do not use a USB cable longer than 3m (9.8 ft) for USB powered download.

Failure to follow these instructions can result in death, serious injury, or equipment damage.

NOTE: It is not intended that you use the USB Powered Download on an installed controller. Depending on the number of I/O expansion modules in the physical configuration of the installed controller, there may be insufficient power from your PC USB port to accomplish the download.

USB Mini-B Port Connection

TCSXCNAMUM3P: This USB cable is suitable for short duration connections such as quick updates or retrieving data values.

BMXXCAUSBH018: Grounded and shielded, this USB cable is suitable for long duration connections.

NOTE: You can only connect 1 controller or any other device associated with SoMachine and its component to the PC at any one time.

The USB Mini-B Port is the programming port you can use to connect a PC with a USB host port using SoMachine software. Using a typical USB cable, this connection is suitable for quick updates of the program or short duration connections to perform maintenance and inspect data values. It is not suitable for long-term connections such as commissioning or monitoring without the use of specially adapted cables to help minimize electromagnetic interference.

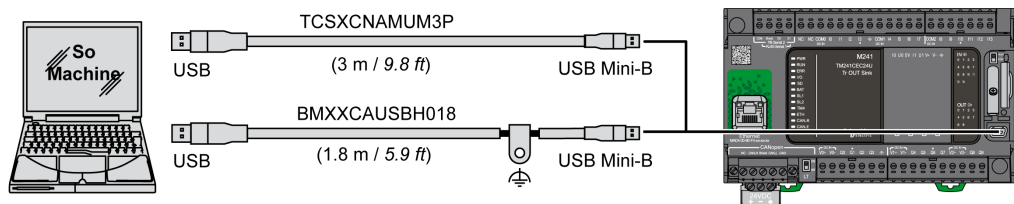
⚠ WARNING

INOPERABLE EQUIPMENT OR UNINTENDED EQUIPMENT OPERATION

- You must use a shielded USB cable such as a BMX XCAUSBH0** secured to the functional ground (FE) of the system for any long-term connection.
- Do not connect more than one controller at a time using USB connections.

Failure to follow these instructions can result in death, serious injury, or equipment damage.

The communication cable should be connected to the PC first to minimize the possibility of electrostatic discharge affecting the controller.

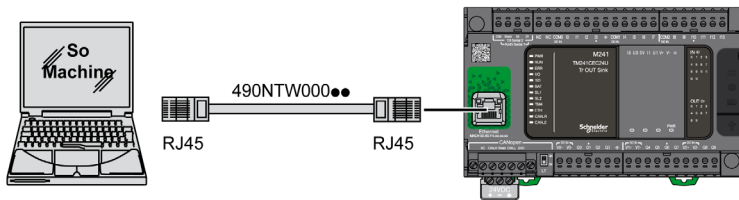


To connect the USB cable to your controller, follow the steps below:

Step	Action
1	<p>1a If making a long-term connection using the cable BMXXCAUSBH018, or other cable with a ground shield connection, be sure to securely connect the shield connector to the functional ground (FE) or protective ground (PE) of your system before connecting the cable to your controller and your PC.</p> <p>1b If making a short-term connection using the cable TCSXCNAMUM3P or other non-grounded USB cable, proceed to step 2.</p>
2	Connect your USB cable to the computer.
3	Open the hinged access cover.
4	Connect the Mini connector of your USB cable to the controller USB connector.

Ethernet Port Connection

You can also connect the controller to a PC using an Ethernet cable.



To connect the controller to the PC, do the following:

Step	Action
1	Connect your Ethernet cable to the PC.
2	Connect your Ethernet cable to the Ethernet port on the controller.



A

ASCII

(*American standard code for Information Interchange*) A protocol for representing alphanumeric characters (letters, numbers, certain graphics, and control characters).

B

bps

(*bit per second*) A definition of transmission rate, also given in conjunction with multiplier kilo (kbps) and mega (mbps).

C

CANopen

An open industry-standard communication protocol and device profile specification (EN 50325-4).

CFC

(*continuous function chart*) A graphical programming language (an extension of the IEC 61131-3 standard) based on the function block diagram language that works like a flowchart. However, no networks are used and free positioning of graphic elements is possible, which allows feedback loops. For each block, the inputs are on the left and the outputs on the right. You can link the block outputs to the inputs of other blocks to create complex expressions.

continuous function chart language

A graphical programming language (an extension of the IEC61131-3 standard) based on the function block diagram language that works like a flowchart. However, no networks are used and free positioning of graphic elements is possible, which allows feedback loops. For each block, the inputs are on the left and the outputs on the right. You can link the block outputs to inputs of other blocks to create complex expressions.

D

DIN

(*Deutsches Institut für Normung*) A German institution that sets engineering and dimensional standards.

E

EIA rack

(*electronic industries alliance rack*) A standardized (EIA 310-D, IEC 60297, and DIN 41494 SC48D) system for mounting various electronic modules in a stack or rack that is 19 inches (482.6 mm) wide.

EN

EN identifies 1 of many European standards maintained by CEN (*European Committee for Standardization*), CENELEC (*European Committee for Electrotechnical Standardization*), or ETSI (*European Telecommunications Standards Institute*).

F

FBD

(*function block diagram*) One of 5 languages for logic or control supported by the standard IEC 61131-3 for control systems. Function block diagram is a graphically oriented programming language. It works with a list of networks, where each network contains a graphical structure of boxes and connection lines, which represents either a logical or arithmetic expression, the call of a function block, a jump, or a return instruction.

FE

(*functional Earth*) A common grounding connection to enhance or otherwise allow normal operation of electrically sensitive equipment (also referred to as functional ground in North America).

In contrast to a protective Earth (protective ground), a functional earth connection serves a purpose other than shock protection, and may normally carry current. Examples of devices that use functional earth connections include surge suppressors and electromagnetic interference filters, certain antennas, and measurement instruments.

H

HE10

Rectangular connector for electrical signals with frequencies below 3 MHz, complying with IEC 60807-2.

I

IEC

(*international electrotechnical commission*) A non-profit and non-governmental international standards organization that prepares and publishes international standards for electrical, electronic, and related technologies.

IEC 61131-3

Part 3 of a 3-part IEC standard for industrial automation equipment. IEC 61131-3 is concerned with controller programming languages and defines 2 graphical and 2 textual programming language standards. The graphical programming languages are ladder diagram and function block diagram. The textual programming languages include structured text and instruction list.

IL

(instruction list) A program written in the language that is composed of a series of text-based instructions executed sequentially by the controller. Each instruction includes a line number, an instruction code, and an operand (refer to IEC 61131-3).

instruction list language

A program written in the instruction list language that is composed of a series of text-based instructions executed sequentially by the controller. Each instruction includes a line number, an instruction code, and an operand (see IEC 61131-3).

IP 20

(ingress protection) The protection classification according to IEC 60529 offered by an enclosure, shown by the letter IP and 2 digits. The first digit indicates 2 factors: helping protect persons and for equipment. The second digit indicates helping protect against water. IP 20 devices help protect against electric contact of objects larger than 12.5 mm, but not against water.

L**ladder diagram language**

A graphical representation of the instructions of a controller program with symbols for contacts, coils, and blocks in a series of rungs executed sequentially by a controller (see IEC 61131-3).

LD

(ladder diagram) A graphical representation of the instructions of a controller program with symbols for contacts, coils, and blocks in a series of rungs executed sequentially by a controller (refer to IEC 61131-3).

M**master/slave**

The single direction of control in a network that implements the master/slave mode.

Modbus

The protocol that allows communications between many devices connected to the same network.

N

NEMA

(national electrical manufacturers association) The standard for the performance of various classes of electrical enclosures. The NEMA standards cover corrosion resistance, ability to help protect from rain, submersion, and so on. For IEC member countries, the IEC 60529 standard classifies the ingress protection rating for enclosures.

P

PDO

(process data object) An unconfirmed broadcast message or sent from a producer device to a consumer device in a CAN-based network. The transmit PDO from the producer device has a specific identifier that corresponds to the receive PDO of the consumer devices.

PE

(protective Earth) A common grounding connection to help avoid the hazard of electric shock by keeping any exposed conductive surface of a device at earth potential. To avoid possible voltage drop, no current is allowed to flow in this conductor (also referred to as *protective ground* in North America or as an equipment grounding conductor in the US national electrical code).

R

RJ-45

A standard type of 8-pin connector for network cables defined for Ethernet.

RPDO

(receive process data object) An unconfirmed broadcast message or sent from a producer device to a consumer device in a CAN-based network. The transmit PDO from the producer device has a specific identifier that corresponds to the receive PDO of the consumer devices.

RS-485

A standard type of serial communication bus, based on 2 wires (also known as EIA RS-485).

RxD

The line that receives data from one source to another.

S**SFC**

(*sequential function chart*) A language that is composed of steps with associated actions, transitions with associated logic condition, and directed links between steps and transitions. (The SFC standard is defined in IEC 848. It is IEC 61131-3 compliant.)

ST

(*structured text*) A language that includes complex statements and nested instructions (such as iteration loops, conditional executions, or functions). ST is compliant with IEC 61131-3.

T**terminal block**

(*terminal block*) The component that mounts in an electronic module and provides electrical connections between the controller and the field devices.

TPDO

(*transmit process data object*) An unconfirmed broadcast message or sent from a producer device to a consumer device in a CAN-based network. The transmit PDO from the producer device has a specific identifier that corresponds to the receive PDO of the consumer devices.

TxD

The line that sends data from one source to another.



A

- accessories, 39
- analog input modules
 - specifications, 30
- analog mixed I/O modules
 - specifications, 32
- analog output modules
 - specifications, 31

C

- CANopen communication, 200
- caution
 - loss of application data, 56
- certifications and standards, 66
- communication
 - CANopen, 200
- Communication Ports, 199
 - Ethernet Port, 202
 - Serial Line 1, 207
 - Serial Line 2, 211
 - USB Programming Port, 205
- connections
 - to CANopen slaves, 200

D

- digital I/O modules
 - specifications, 26, 27, 29, 35, 36
- Digital I/O modules
 - Specifications, 36

E

- Electrical Requirements
 - Installation, 80
- Electromagnetic Susceptibility, 65

F

- fallback
 - configuring modes, 51
- features
 - key features, 16
- Filter
 - Bounce Filter, 47

G

- Grounding, 94

I

- inductive load, output protection
 - output protection, inductive load, 85
- Input Management, 46
- Installation, 61
 - Electrical Requirements, 80
 - Logic Controller Installation, 67

L

- Latching, 48
- Logic Controller Installation
 - Installation, 67

M

- M221 I/O
 - Environmental Characteristics, 63

M241

- TM241C24R, 101
- TM241C24T, 117
- TM241C24U, 133
- TM241C40R, 149
- TM241C40T, 157
- TM241C40U, 165
- TM241CE24R, 105
- TM241CE24T, 121
- TM241CE24U, 137
- TM241CE40R, 153
- TM241CE40T, 161
- TM241CE40U, 169
- TM241CEC24R, 111
- TM241CEC24T, 127
- TM241CEC24U, 143

mounting positions, 71

N

notice

- loss of application data, 56

O

output management, 50

P

Power Supply, 87, 91

presentation

- TM241C24R, 101
- TM241C24T, 117
- TM241C24U, 133
- TM241C40R, 149
- TM241C40T, 157
- TM241C40U, 165
- TM241CE24R, 105
- TM241CE24T, 121
- TM241CE24U, 137
- TM241CE40R, 153
- TM241CE40T, 161
- TM241CE40U, 169
- TM241CEC24R, 111
- TM241CEC24T, 127
- TM241CEC24U, 143

programming languages
IL, LD, Grafcet, 16

R

- real time clock, 42
- regular inputs, 26, 27, 29
- regular transistor outputs, 26, 27, 29
- relay outputs, 26, 27, 29
- Run/Stop, 54

S

- SD Card, 56
- Serial Line 1
 - Communication Ports, 207
- Serial Line 2
 - Communication Ports, 211
- short-circuit or over-current on relay outputs, 53
- short-circuit or over-current on transistor outputs, 52
- specifications
 - analog input modules, 30
 - analog mixed I/O modules, 32
 - analog output modules, 31
 - digital I/O modules, 26, 27, 29, 35
- Specifications
 - Digital I/O modules, 36, 36

specifications
 modules, 32
 transmitter and receiver modules, 34

T

Tesys modules
 specifications, 32
TM241CEC24R
 M241, 111
 presentation, 111
TM241CEC24T
 M241, 127
 presentation, 127
TMC4, 24
transmitter and receiver modules
 specifications, 34

U

USB Programming Port
 Communication Ports, 205

W

wiring, 81

